

# **Alpha**

**TUBULAR MOTORS PTY LTD**

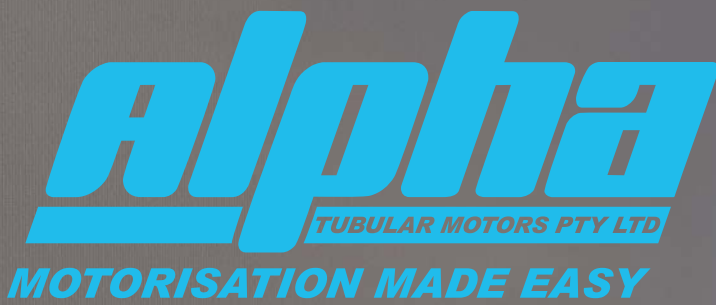
**MOTORISATION MADE EASY**



PRODUCT CATALOGUE 2025  
Issue 10 Australia



# Leaders in innovation and technology.



A team that delivers and assists you to grow your business.

**SIMPLE PROGRAMMING**

**ADVANCED TECHNOLOGY**

**PROVEN RELIABILITY**

**SAME DAY DISPATCH**

**COMPETITIVE PRICING**

**UNMATCHED SERVICE AND SUPPORT**

**FULL COMPLIANCE TO AUSTRALIAN STANDARDS**

## **Tubular Motors**

- WSER Remote Control Motors ..... p 3-9
- DC Motor Systems ..... p 10-14
- WSS Mechanical Limits Motors ..... p 15-17
- WSEB Mechanical Limits with Receiver .. p 18-19
- WSEC Automation System Motors ..... p 20-21
- Manual Override Motors ..... p 22-23

## **Curtain System**

- Curtain Motors ..... p 25-26
- Curtain Accessories ..... p 27-28
- Extendable Curtain Track ..... p 29
- Vertical Curtain Motor, Track & Acc ..... p 30-31

## **Control Systems**

- Alpha-Neo App & Link Box ..... p 32
- Remote Controls ..... p 33-36
- Wall Mount Remote Controls ..... p 37
- Receivers ..... p 38
- Relay Controlled Remote ..... p 39

## **Sun & Wind Sensors**

- Motion Sensor ..... p 40
- Sun and Wind Sensors ..... p 41

## **Accessories**

- Crown and Drive Adapters ..... p 43-52
- Brackets ..... p 53-54
- Limit Setting Device & Test Lead ..... p 55
- Cables & Crank Handles ..... p 56
- Cassette Awning & Folding Arm Guide ... p 57
- Motor Lifting Capacity Chart ..... p 58

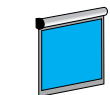
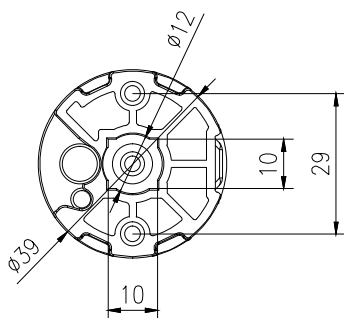
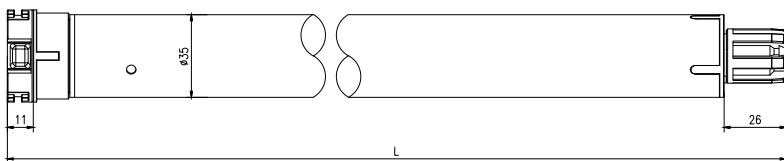
# WSER40

5/28  
10/14

Electronic limit switch  
Built-in receiver  
Wireless limit setting  
3 core motor  
35mm diameter motor



This is a true one motor for all blinds, internal motor.  
The WSER40 5/28 is able to lift 6m wide x 2.5m drop with 2 links.  
It's reliable and delivers smooth quiet operation.



Projection Screen



Roller Blind

## Product Certificates



## Specifications - 240V / 50Hz

Type	5/28	10/14
Rated Torque (N.m)	5	10
Output Speed (rpm)	28	14
Nominal Consumption (W)	116	116
Nominal Voltage (V)	240	240
Nominal Current (A)	0.49	0.49
Running Time (Min)	4	4
Protection Index (IP)	44	44
Total Length (mm)	560	560
Maximum Turns (Turn)	∞	∞
Net Weight (Kg)	1.34	1.35
Included C&D	A2310	A2310
Included Motor Plate	A3304	A3304

# WSER50

10/27 Universal  
30/17 Universal  
50/13 Universal

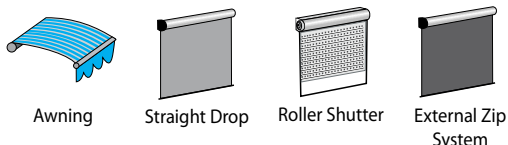
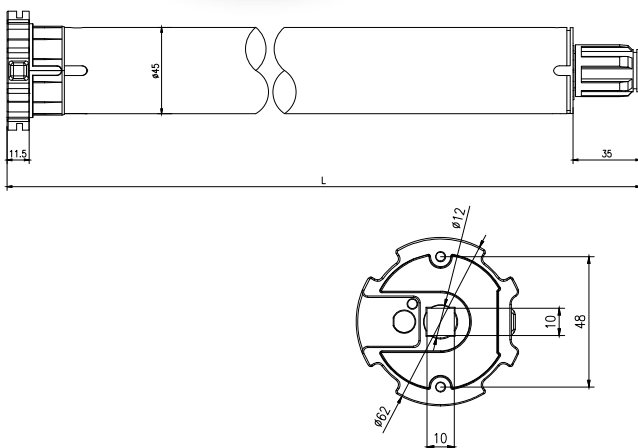
Electronic limit switch  
Built-in receiver  
Wireless limit setting  
3 core motor  
45mm diameter motor

Our WSER50 series Universal motors are the most popular external straight drop motors in Australia.

Due to the upwards torque stop function, this motor is ideal for all external straight drop systems. This protective feature can be used to stop on stoppers at the top limit in side channel systems, and can also be used to tension the fabric when the awning is down. A top limit is set normally and the torque stop function can be used in conjunction. Suitable for use with RS001 and RS002, Sun/Wind sensors.

When used with Sun/Wind sensors, this motor detects a pulse from the sensor issued every 20 minutes. If the Awning is down and does not receive a signal from the sensor for half an hour, it will rise automatically as a protective measure assuming the sensor has failed.

The 30/17 version of this motor is available both with and without Molex connectors. The 10/27 and 50/13 versions are only available with Molex connector.



## Product Certificates



## Specifications - 240V / 50Hz

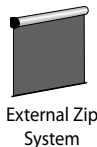
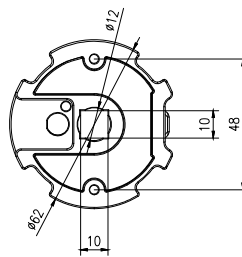
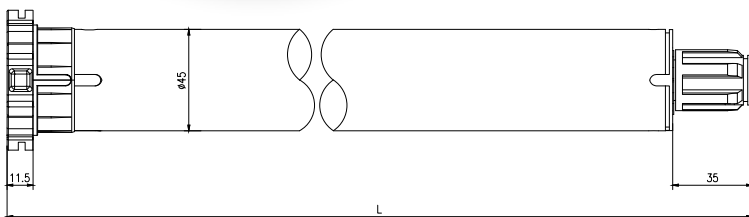
Type	10/27	30/17	50/13
Rated Torque (N.m)	10	30	50
Output Speed (rpm)	27	17	13
Nominal Consumption (W)	203	226	244
Nominal Voltage (V)	240	240	240
Nominal Current (A)	0.84	0.95	1.06
Running Time (Min)	4	4	4
Protection Index (IP)	44	44	44
Total Length (mm)	570	570	600
Maximum Turns (Turn)	∞	∞	∞
Net Weight (Kg)	2.30	2.45	2.65
Included C&D	A2424	A2404	A2404
Included Motor Bracket	A3415	A3415	A3415

# WSER50 G 20/17 Grey Universal

Electronic limit switch  
Built-in receiver  
Wireless limit setting  
3 core motor  
45mm diameter motor

The WSER50 G 20/17 Grey Universal is a 20Nm economy motor. This motor is ideal for all external straight drop and zip systems and has all the functions of the larger 30Nm and 50Nm Universal motors, including the upwards torque stop function. This protective feature can be used to stop the awning on stoppers at the top limit in side channel systems, and can also be used to tension the fabric when the awning is down. A top limit is set normally, and the torque stop function can be used in conjunction.

This motor can also be installed in roller shutters where 20Nm is sufficient to lift the shutter.



## Product Certificates



## Specifications - 240V / 50Hz

Type	20/17
Rated Torque (N.m)	20
Output Speed (rpm)	17
Nominal Consumption (W)	203
Nominal Voltage (V)	240
Nominal Current (A)	0.84
Running Time (Min)	4
Protection Index (IP)	44
Total Length (mm)	570
Maximum Turns (Turn)	∞
Net Weight (Kg)	1.92
Included C&D	N/A
Included Motor Bracket	A3415

# WSER50 OD 30/17 Obstacle Detection

Electronic limit switch  
Built-in receiver  
Wireless limit setting  
3 core motor  
45mm diameter motor

Designed primarily with Zip style systems in mind, this motor incorporates obstacle detection on the way down and torque stop on the way up. It can stop on stoppers at the top limit if necessary on the way up, but also, if on the way down, the motor detects that the bottom bar has stopped moving in the channel due to getting stuck or hitting an object, it will rebound to a higher point and attempt to go down again. After attempting this 3 times unsuccessfully, if it has detected an obstacle, it will return to the rebound position and stop. But if it has detected wind stopping the awning, then it will return to the top limit.

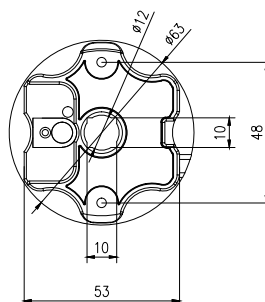
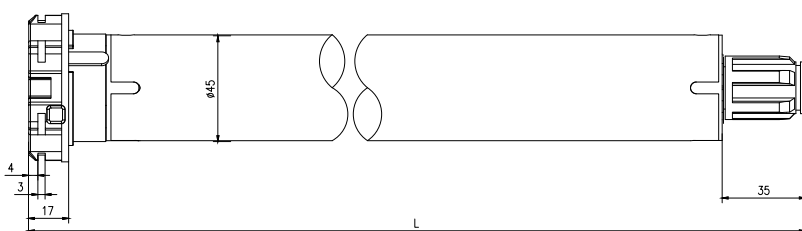
This motor has a star shaped head which is different to all other Alpha motor heads, and will suit many common mountings used by various manufacturers when producing their product.



For compatible mounting brackets, please see the A3438, A3439 and A3440 on page 53

## Specifications - 240V / 50Hz

Type	30/17
Rated Torque (N.m)	30
Output Speed (rpm)	17
Nominal Consumption (W)	226
Nominal Voltage (V)	240
Nominal Current (A)	0.95
Running Time (Min)	4
Protection Index (IP)	44
Total Length (mm)	570
Maximum Turns (Turn)	∞
Net Weight (Kg)	2.45



External Zip System

### Product Certificates



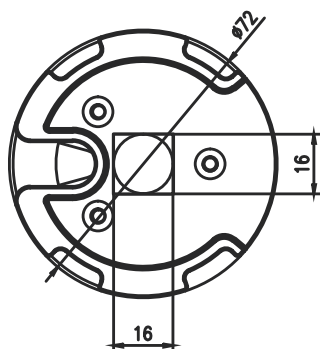
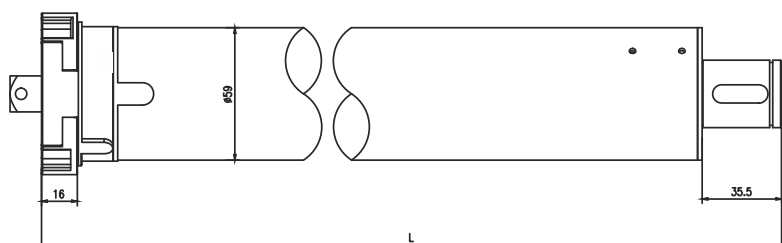
# WSER60 100/12 Universal

Electronic limit switch  
Built-in receiver  
Wireless limit setting  
3 core motor  
60mm diameter motor

This motor is the super heavy duty version in the WSER family.

Although it's a universal motor, it's compatible with extra-large folding arms including the additional safety features provided by motion and wind sensors.

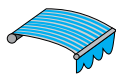
Due to the larger diameter of this motor, the smallest tube it can be used with is a 78mm Gal round tube with keyway, or 70mm octagonal roller shutter tube.



Please see folding arm motor guide on page 57 for motor selection.

## Specifications - 240V / 50Hz

Type	100/12
Rated Torque (N.m)	100
Output Speed (rpm)	12
Nominal Consumption (W)	370
Nominal Voltage (V)	240
Nominal Current (A)	1.60
Running Time (Min)	4
Protection Index (IP)	44
Total Length (mm)	685
Maximum Turns (Turn)	∞
Net Weight (Kg)	5.06
Included C&D	A2502
Included Motor Bracket	A3006-01



Awning



Roller Shutter

### Product Certificates



# WSER50

30/17 Cassette Awning  
50/13 Cassette Awning

Electronic limit switch  
Built-in receiver  
Wireless limit setting  
3 core motor  
45mm diameter motor

These motors are designed to automatically set their inner limit based on tension. It will also allow you to set the inner limit manually if you require.

When using the auto inner limit setting, the outer limit is set manually using the remote and it will find its own inner stopping position by detecting the resistance as it reaches the fully closed position the first time it is closed. After this the motor will stop in this position after detecting an increased resistance of 25% while moving.

On larger cassette awnings, 25% is sometimes not enough so you can increase this to 50%, 75% or 100% if required. It's rare to need this adjustment but it's a good feature to have.

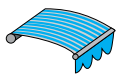
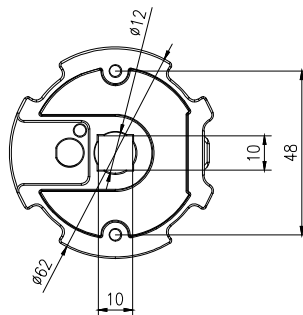
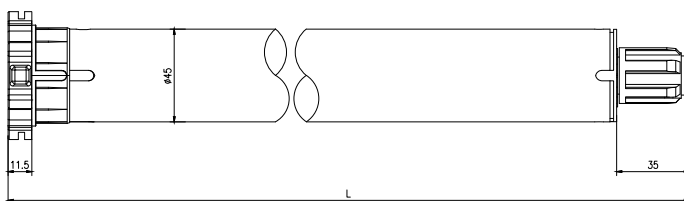
When used with Sun/Wind sensors or Motion sensors, this motor detects a pulse from the sensor issued every 20 minutes. If the Awning is out and does not receive a signal from the sensor for half an hour, it will close itself automatically as a protective measure assuming the sensor has failed or the batteries are flat.



Please see folding arm motor guide on page 57 for motor selection.

## Specifications - 240V / 50Hz

Type	30/17	50/13
Rated Torque (N.m)	30	50
Output Speed (rpm)	17	13
Nominal Consumption (W)	226	244
Nominal Voltage (V)	240	240
Nominal Current (A)	0.95	1.06
Running Time (Min)	4	4
Protection Index (IP)	44	44
Total Length (mm)	570	600
Maximum Turns (Turn)	∞	∞
Net Weight (Kg)	2.45	2.65
Included C&D	A2409	A2409
Included Motor Plate	A3415	A3415



Awning

### Product Certificates





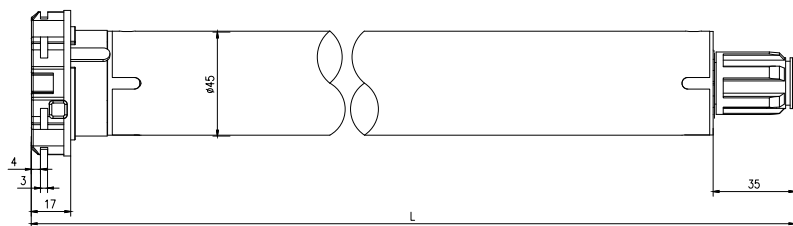
# WSER50 50/13 LED Cassette Awning

Electronic limit switch  
Built-in receiver  
Wireless limit setting  
3 core motor  
45mm diameter motor



Alpha's new LED Cassette Awning motor incorporates a 24 volt DC LED output to control the LED's on the arms of an awning. The power supply for the LED is built-in to the motor.

Use the Navigator RE301-LED remote control (see page 36) to switch the LEDs on or off and to utilise the dimming function. The maximum DC output for the LED is 80 watts.



For alternate mounting brackets, please see page 53



## Specifications - 240V / 50Hz

Type	50/13
Rated Torque (N.m)	50
Output Speed (rpm)	13
Nominal Consumption (W)	244
Nominal Voltage (V)	230
Nominal Current (A)	1.06
Running Time (Min)	4
Protection Index (IP)	44
Total Length (mm)	966
Maximum Turns (Turn)	∞
Net Weight (Kg)	3.72
LED Output (W)	80
LED Output DC Voltage (V)	24
Included C&D	A2409
Included Bracket	A3440

## Product Certificates



# WSERD30-B

rechargeable battery motor

10

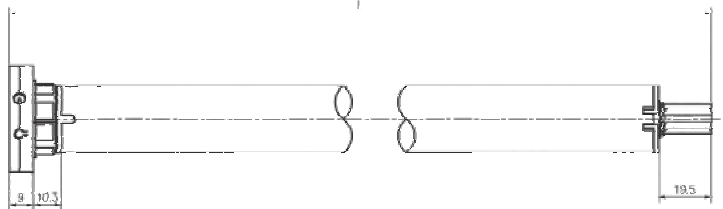
1/30 C  
2/31 C  
3/20 C

Electronic limit switch  
Built-in receiver  
25mm diameter motor  
USB-C charging

The new internal battery motors with USB-C charging provide you with enhanced performance and convenience.

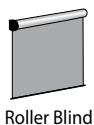


- Short motor
- 5 volt USB-C charging capability
- Whisper-quiet operation
- 3 adjustable speeds
- Patented coreless technology
- Antenna-free sleek design
- Soft stop function
- Full reset function

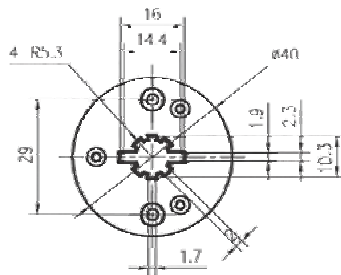


## Specifications - DC

Type	1/30C	2/31C	3/20C
Rated Torque (N.m)	1	2	3
Output Speed (rpm)	20/25/30	25/30/35	15/18/20
USB-C Charger Required	5V/1A	5V/1A	5V/1A
Nominal Voltage (V)	7.4	11.1	11.1
Speed Adjustable	yes	yes	yes
Running Time (Min)	∞	∞	∞
Protection Index (IP)	20	20	20
Total Length (mm)	460	525	525
Maximum Turns (Turn)	∞	∞	∞
Net Weight (Kg)	0.48	0.54	0.54
Max Lifting Capacity	2mx2m	3mx3m	3mx4m
Included C&D	A2310	A2310	A2310



Roller Blind

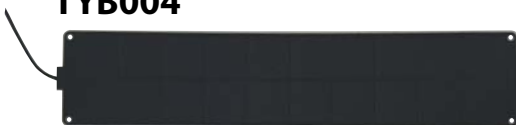


## Product Certificates



## Accessories

### TYB004



USB-C solar panel  
Output Power: 3 watts  
Protection Index: IP66  
Working Temp: -10°C - +65°C  
Dimensions: 380x82x2mm

### ALDC 5V-C Charger

(5 volt USB-C charger with 3m cable)



### EXT USB-C 20cm



### EXT USB-C 3m



# WSERD50-B

rechargeable battery motor

10/14

20/12

3rd intermediate limit position

Soft stop

Electronic limit switch

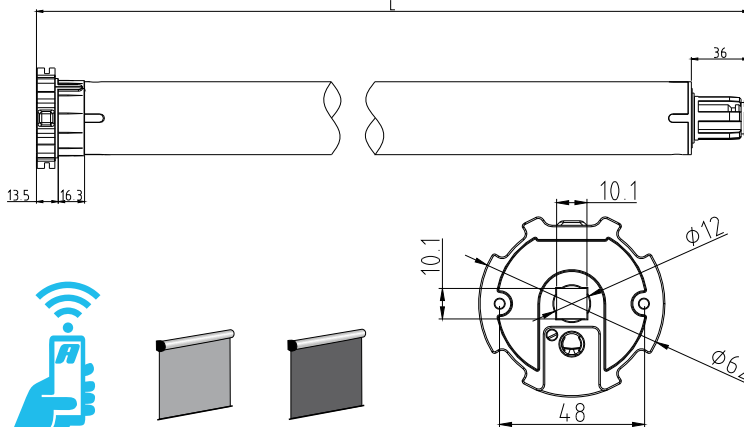
USB-C charging

45mm diameter motor



This new motor offering from Alpha features a built-in rechargeable lithium-ion battery, designed for external applications like zip systems and straight drops awnings. Super quiet and available in 10Nm and 20Nm options. Both motors are much faster than similar competitor motors. Offers a range of charging options, including headbox-mounted charging sockets, side channel charging sockets, or TYB004 solar panel options.

## Specifications - 240V / 50Hz



Straight Drop

External Zip System

### Product Certificates



Type	10/14	20/12
Rated Torque (N.m)	10	20
Output Speed (rpm)	10/12/14	8/10/12
Nominal Consumption (W)	36	96
Nominal Voltage (V)	12	12
Nominal Current (A)	3	8
Running Time (mins)	12	12
Protection Index (IP)	44	44
Total Length (mm)	800	800
Maximum Turns (Turn)	∞	∞
Net Weight (Kg)	2.1	2.6
Included C&D	A2409	A2409
Included Brackets	A3005	A3005

## Accessories

### TYB004



USB-C solar panel  
Output Power: 3 watts  
Protection Index: IP66  
Working Temp: -10°C - +65°C  
Dimensions: 380x82x2mm

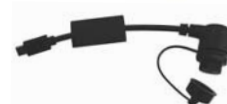
### ALDC 5V-C Charger

(5 volt USB-C charger with 3m cable)



### USB-C CP 150mm

(external charging port)



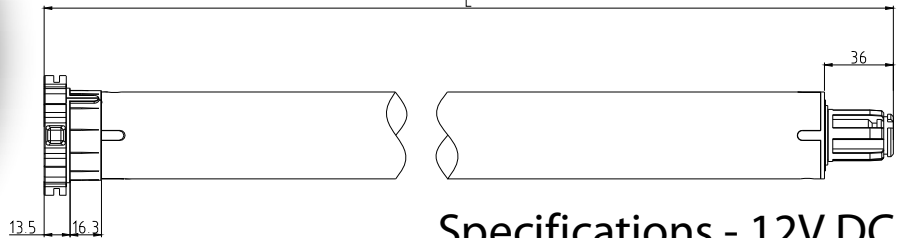
### USB-C CP 1.5m

(external charging port)



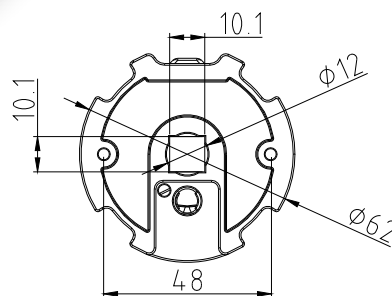


This 15Nm DC motor is ideal for most external straight drop awnings and zip systems. It's designed to be paired with the TYB002 solar panel shown at the bottom of the page.



## Specifications - 12V DC

Type	15/12
Rated Torque (N.m)	15
Output Speed (rpm)	12
Nominal Consumption (W)	96
Nominal Voltage (V)	12
Nominal Current (A)	8
Maximum Power (W)	96
Protection Index (IP)	44
Total Length (mm)	565
Maximum Turns (Turn)	∞
Net Weight (Kg)	2.6
Included C&D	A2424
Included Bracket	A3415



Straight Drop



Roller Shutter



External Zip System

## Product Certificates

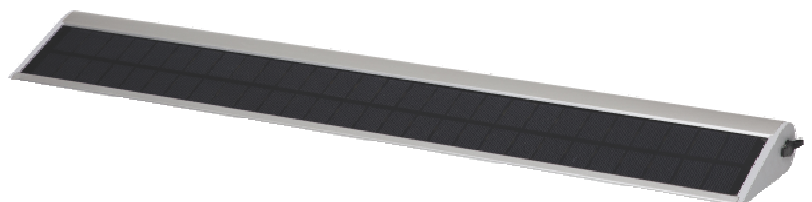


## TYB002 Solar panel and battery pack for WSERD50 (Optional power source)

This unit is recommended for use with the WSERD50 15/12 motor only. This solar panel with 4400mAh storage capacity using rechargeable Lithium batteries.

The batteries will be fully charged in 80 hours of direct sunlight, and when full, will hold enough charge for about 50 days of normal operation without further charging. In the event that the batteries are depleted by excessive use or poor solar panel positioning, the batteries can be recharged in a few hours by connecting an external charger to the unit.

- New tear drop design
- Monocrystalline silicone material
- Nominal capacity 4400 mAh
- Charging voltage 16.8v/1A, plug size 3.5x1.35mm
- Charging time 8 hours (12.6V/1A)
- Output voltage 11.1v/4.5A
- Working temperature -10°C to 45°C
- Protection index IP67
- Dimensions 546mm x 90mm x 32mm



# WSERD30-B

rechargeable battery motor

2/31 C matter

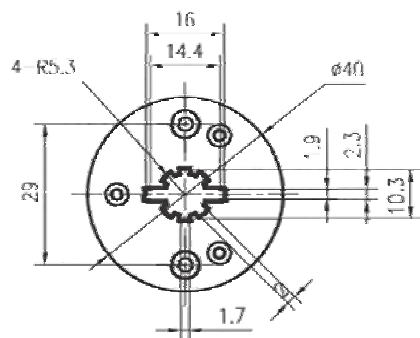
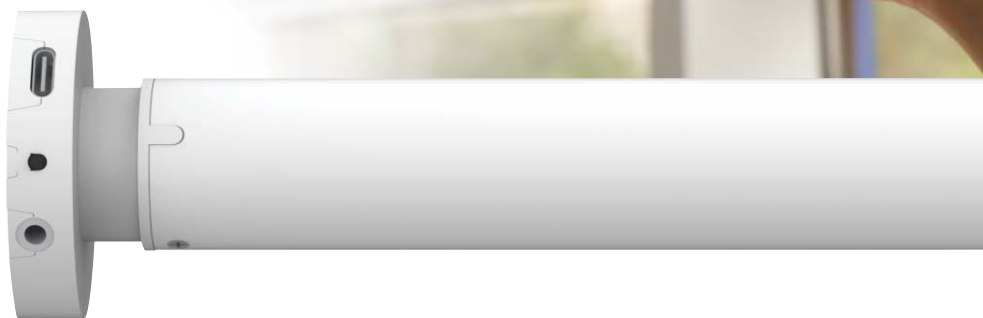


Electronic limit switch  
25mm diameter motor  
USB-C charging

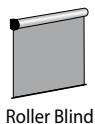
WSERD30-B 2/31 C matter battery motor is a smart motor that incorporates matter technology. Matter is an initiative that seeks to establish a common home platform and voice assistant.

By integrating matter technology into the WSERD30-B 2/31 C matter motor, users can expect a more seamless and interoperable smart home experience. This means that the motor can easily work with various smart home systems and voice assistants that also support matter technology, enhancing the overall convenience and functionality of the connected home ecosystem.

- Short motor
- 5 volt USB-C charging
- Ultra quiet operation
- 3 adjustable speeds
- Patented coreless technology
- No visible antenna
- Soft stop function



ALDC 5V Charger



Roller Blind



TYB004 Solar Panel

see all accessories at the bottom of page 10

## Product Certificates



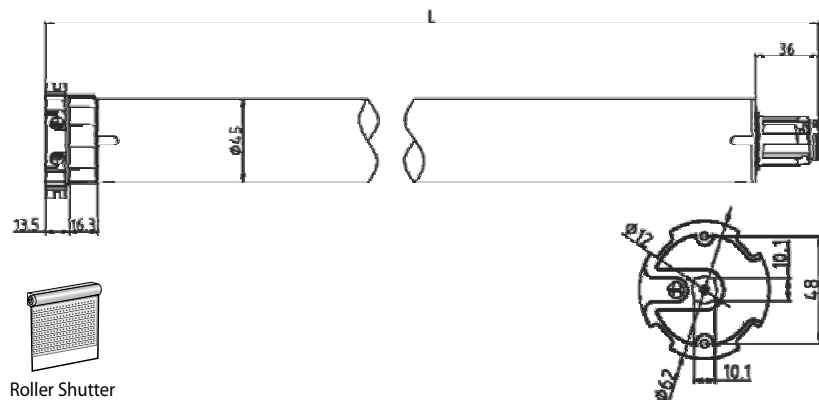
## Specifications - DC

Type	2/31C matter
Rated Torque (N.m)	2
Output Speed (rpm)	25/30/35
USB-C Charger Required	5V/1A
Nominal Voltage (V)	11.1
Speed Adjustable	yes
Running Time (Min)	$\infty$
Protection Index (IP)	20
Total Length (mm)	546
Maximum Turns (Turn)	$\infty$
Net Weight (Kg)	0.54
Max Lifting Capacity	3mx3m blinds
Included C&D	A2310

Alpha's DC roller shutter motor with rechargeable wall switch.

This 20Nm motor is designed to lift most domestic roller shutters.

The wall switch incorporates a USB-C rechargeable battery to power the motor. Two wall switch versions are available: DCB003 for up/stop/down control and DCB003-R which includes a built-in receiver to allow remote control operation.



## Product Certificates



## Specifications - 240V / 50Hz

Type	20/12
Rated Torque (N.m)	20
Output Speed (rpm)	12
Nominal Consumption (W)	84
Nominal Voltage (V)	12
Nominal Current (A)	7
Running Time (Min)	12
Protection Index (IP)	44
Total Length (mm)	600
Maximum Turns (Turn)	27
Net Weight (Kg)	1.4
Included C&D	A2404
Included Motor Plate	A3415



DCB003



DCB003-R



DCB003-8045A

## WALL CRADLE



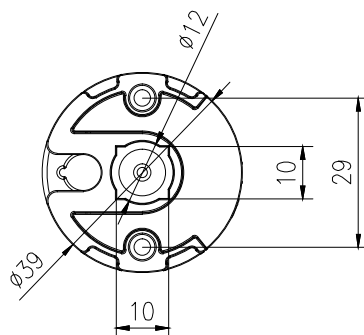
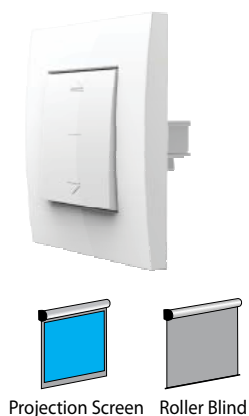
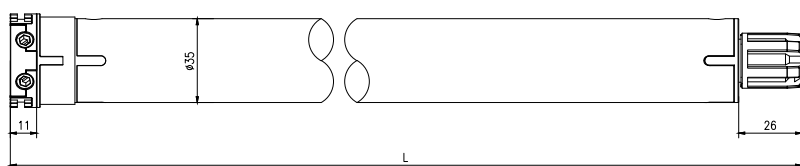
## Rechargeable Wall Switches

Output Power (W)	60
Nominal Capacity (mAh)	3000
Protection IP	40
USB-C Charger Required	5V/1A
Dimensions (mm)	149x56.6x30.6



A basic 4 core motor for when you want a reliable workhorse without any bells and whistles.

Unlike the WSEC Series motors, these motors cannot be parallel wired.



### Specifications - 240V / 50Hz

Type	5/28
Rated Torque (N.m)	5
Output Speed (rpm)	28
Nominal Consumption (W)	116
Nominal Voltage (V)	240
Nominal Current (A)	0.49
Running Time (Min)	4
Protection Index (IP)	44
Total Length (mm)	480
Maximum Turns (Turn)	40
Net Weight (Kg)	1.34
Included C&D	A2310
Included Motor Bracket	A3304

### Product Certificates



# WSS50

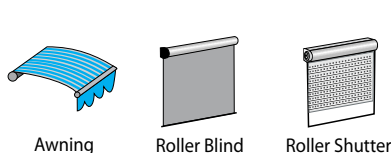
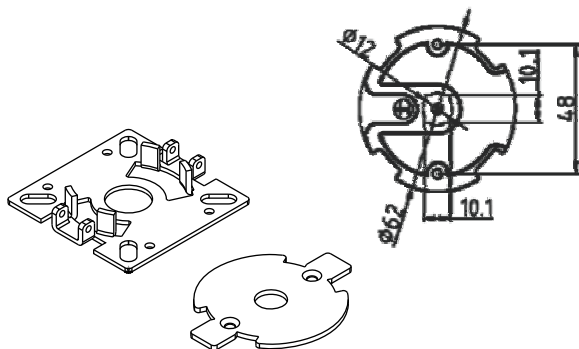
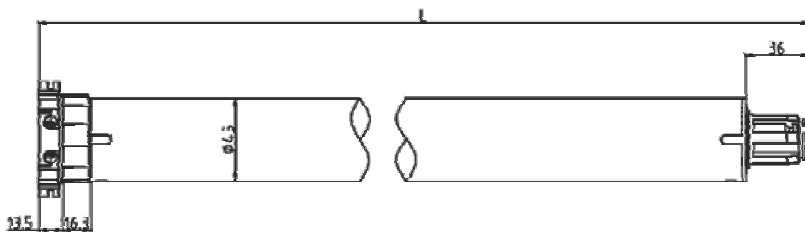
10/17 S (short motor)  
30/17  
50/13

Mechanical limits  
4 core motor  
45mm diameter motor

This is a standard mechanical limits motor like the WSS50 motors except that it is only 380mm long. This makes it suitable for many applications where the longer WSS50 won't fit, like roller shutters on very narrow bay windows for example.

To keep the size to a minimum, this motor has a different head to the standard WSS50 motors and as such requires a different mounting bracket as per the bracket image. This bracket will be supplied with the motor as standard. Also due to the short length, there is a maximum of 12 turns between limits. This equates to approximately 4 metres drop for a roller shutter using octagonal axle.

This motor is not recommended for internal roller blind use, due to limited mounting options and the limitation on the number of turns. Please see if the WSS40 motor on the previous page is short enough to meet your needs.



## Specifications - 240V / 50Hz

Type	10/17 SHORT MOTOR	30/17	50/13
Rated Torque (N.m)	10	30	50
Output Speed (rpm)	17	17	13
Nominal Consumption (W)	155	226	244
Nominal Voltage (V)	240	240	240
Nominal Current (A)	0.68	0.95	1.06
Running Time (Min)	4	4	4
Protection Index (IP)	44	44	44
Total Length (mm)	380	455	480
Maximum Turns (Turn)	12	27	27
Net Weight (Kg)	1.86	2.40	2.47
Included C&D	A2404	A2404	A2404
Included Motor Bracket	A3045	A3415	A3415

## Product Certificates

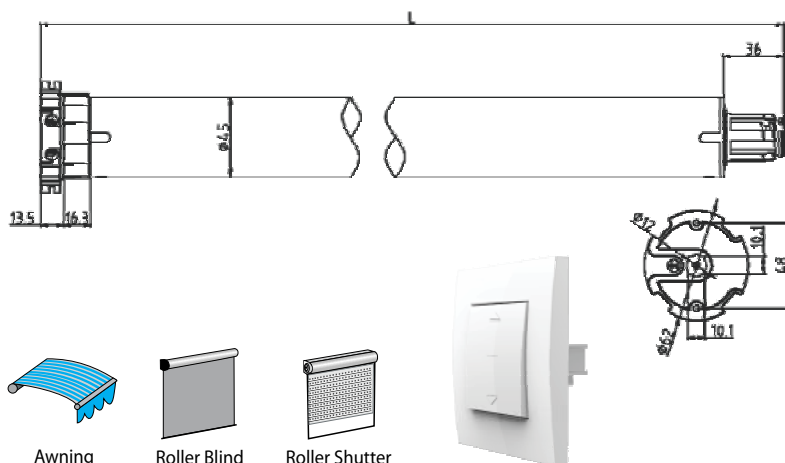






Alpha Grey is our economy product aimed specifically at the roller shutter market, and designed to compete at a price point that the normal premium Alpha product can't reach. This is a standard mechanical limits motor, available either with or without a molex connector. Although the normal Alpha motors punch well above their weight in terms of performance, the Alpha Grey motors are not as over-engineered as the premium product but absolutely meet their specifications and are a great reliable motor. The warranty has been reduced to the normal industry standard of 5 years.

If you need a competitive edge on price but are tired of buying inferior motors through shutter suppliers that are often not even compliant to Australian standards, why not give Alpha Grey a try.



## Specifications - 240V / 50Hz

Type	20/17
Rated Torque (N.m)	20
Output Speed (rpm)	17
Nominal Consumption (W)	155
Nominal Voltage (V)	240
Nominal Current (A)	0.68
Running Time (Min)	4
Protection Index (IP)	44
Total Length (mm)	445
Maximum Turns (Turn)	27
Net Weight (Kg)	2.40
Included C&D	A2404
Included Motor Bracket	A3415

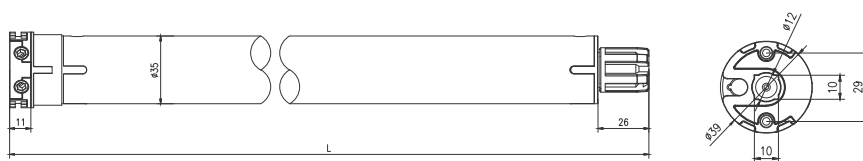
## Product Certificates



# WSEB40

5/28

Built in receiver  
Mechanical limits  
3 core motor  
35mm diameter motor



## Specifications - 240V / 50Hz

Type	5/28
Rated Torque (N.m)	5
Speed (RPM)	28
Nominal Consumption (W)	121
Nominal Voltage (V) AC	240
Nominal Current (A)	0.53
Running Time (Min)	4
Protection Index (IP)	44
Total Length (mm)	660
Maximum Turns	27
Net Weight (Kg)	1.42
Included C&D	A2310
Included Motor Plate	A3304

The WSEB40 is a 35mm diameter mechanical limits motor with a built in receiver, perfect for internal roller blinds.



Roller Blind

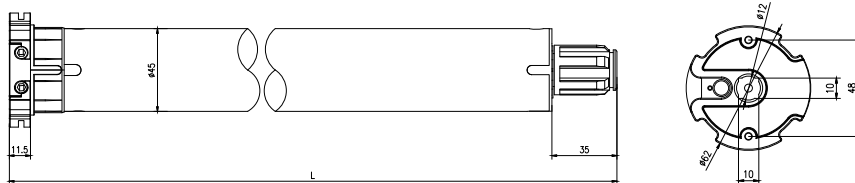
### Product Certificates



# WSEB50

30/17  
50/13

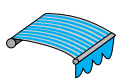
Built in receiver  
Mechanical limits  
3 core motor  
45mm diameter motor



## Specifications - 240V / 50Hz

Type	30/17	50/13
Rated Torque (N.m)	30	50
Speed (RPM)	17	13
Nominal Consumption (W)	226	244
Nominal Voltage (V) AC	240	240
Nominal Current (A)	0.95	1.06
Running Time (Min)	4	4
Protection Index (IP)	44	44
Total Length (mm)	570	570
Maximum Turns	27	27
Net Weight (Kg)	2.4	2.6
Included C&D	A2404	A2404
Included Motor Bracket	A3415	A3415

The WSEB50 is a 45mm diameter mechanical limits motor with a built in receiver, perfect for roller shutters.



Awning

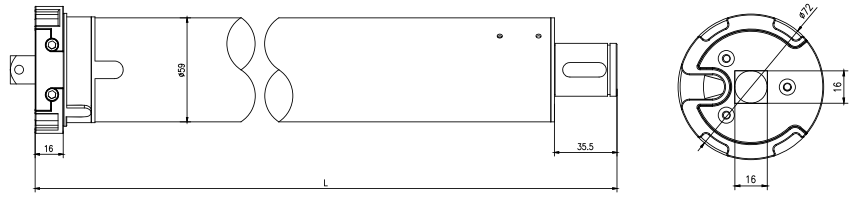
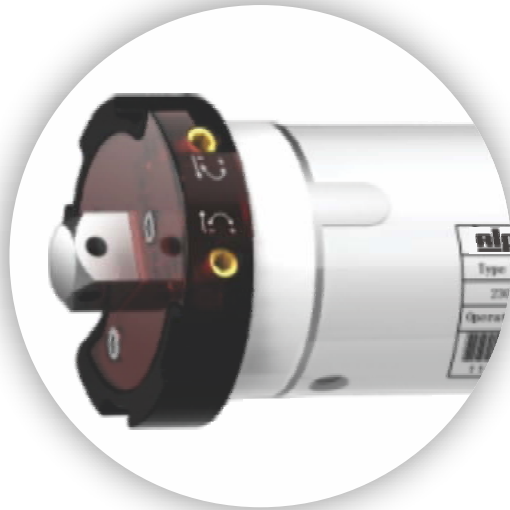
Roller Shutter

### Product Certificates

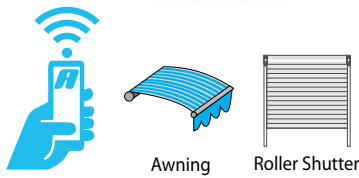


# WSEB60 80/12 120/9

Built in receiver  
Mechanical limits  
3 core motor  
60mm diameter motor



The WSEB60 is a 60mm mechanical limits motor with a built in receiver for those super heavy duty jobs.



## Specifications - 240V / 50Hz

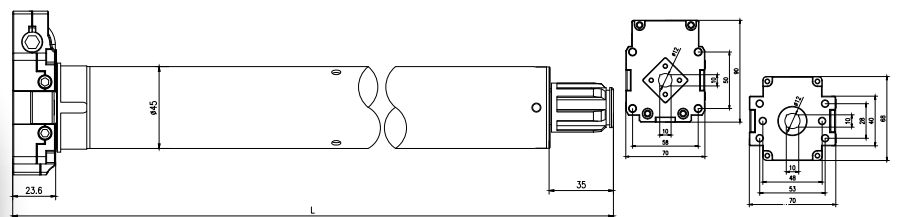
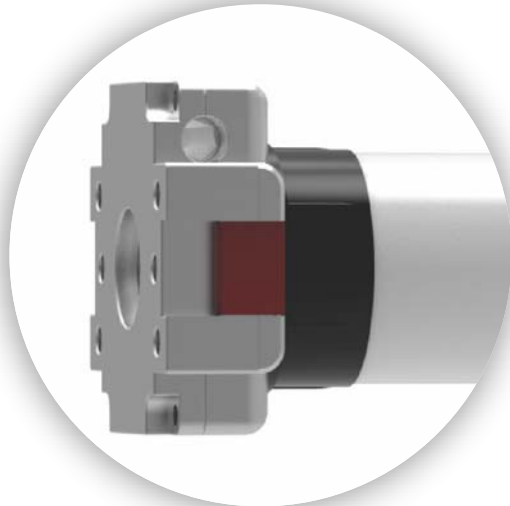
Type	80/12	120/9
Rated Torque (N.m)	80	120
Speed (RPM)	12	9
Nominal Consumption (W)	370	488
Nominal Voltage (V) AC	240	240
Nominal Current (A)	1.6	2.15
Running Time (Min)	4	4
Protection Index (IP)	44	44
Total Length (mm)	710	712
Maximum Turns	27	27
Net Weight (Kg)	4.75	4.76
Included C&D	A2502	A2502
Included Bracket	A3006-01	

### Product Certificates

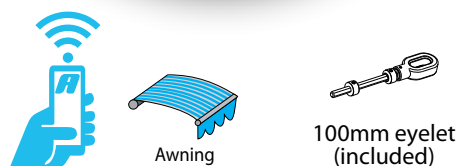


# WSME50 E 50/13

Electronic limit switch  
Built-in receiver  
Wireless limit setting  
3 core motor



This motor has manual override and electronic limits. Unlike most override motors, the electronic limits allow easy installation and programming, as well as the flexibility to be used in cassette systems that block access to typical mechanical limit mechanisms on conventional manual override motors.



## Specifications - 240V / 50Hz

Type	50/13
Rated Torque (Nm)	50
Output Speed (rpm)	13
Nominal Consumption (W)	244
Nominal Voltage (V)	240
Nominal Current (A)	1.06
Running Time (Min)	4
Protection Index (IP)	44
Total Length (mm)	630
Maximum Turns (Turn)	∞
Net Weight (kg)	3.5

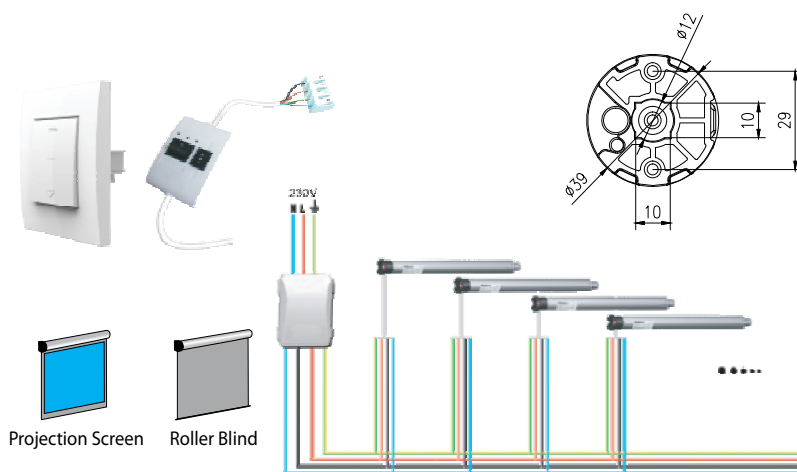
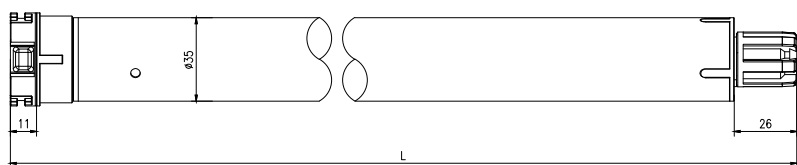
### Product Certificates





## BEST CHOICE FOR AUTOMATION SYSTEM where electrically controlled 4 core motors are required.

Limits may be set by using either the WSB01 limit setting tool or by using the button on the motor head.



### Product Certificates



### Specifications - 240V / 50Hz

Type	5/28
Rated Torque (N.m)	5
Output Speed (rpm)	28
Nominal Consumption (W)	116
Nominal Voltage (V)	240
Nominal Current (A)	0.49
Running Time (Min)	4
Protection Index (IP)	44
Total Length (mm)	560
Maximum Turns (Turn)	∞
Net Weight (Kg)	1.35
Included C&D	A2310
Included Motor Bracket	A3304

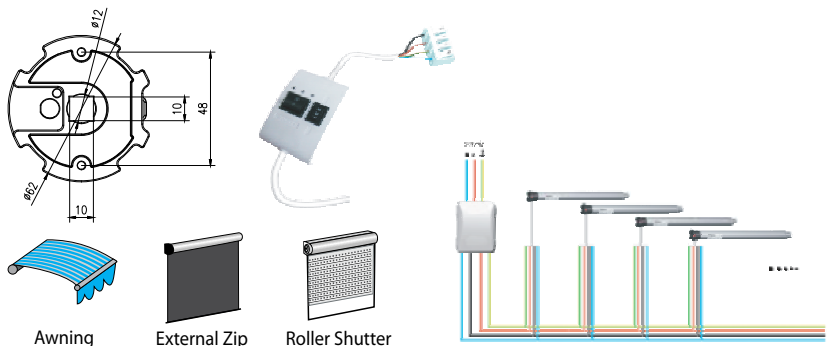
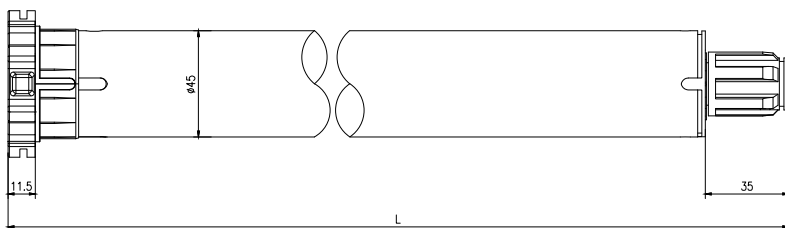


**BEST CHOICE FOR AUTOMATION SYSTEM**  
where electrically controlled 4 core motors are required.

This motor is recommended for all external straight drop awning products.

Limits may be set by using either the WSB01 limit setting tool or by using the button on the motor head.

These motors cannot be protected or controlled by Sun/Wind or Motion sensors. Any protective features must be provided by the control system operating the motors.



## Specifications - 240V / 50Hz

Type	30/17
Rated Torque (N.m)	30
Output Speed (rpm)	17
Nominal Consumption (W)	226
Nominal Voltage (V)	240
Nominal Current (A)	0.95
Running Time (Min)	4
Protection Index (IP)	44
Total Length (mm)	570
Maximum Turns (Turn)	∞
Net Weight (Kg)	2.20
Included C&D	A2404
Included Motor Bracket	A3415

### Product Certificates



# WSM50

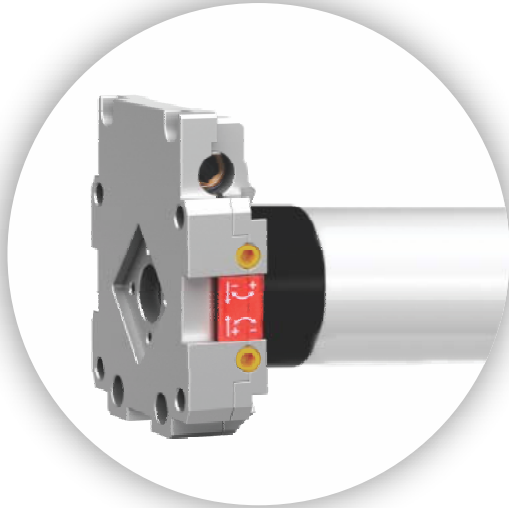
30/17  
50/13

manual override

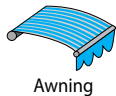
Override head  
Mechanical limits  
4 core motor  
45mm diameter motor

This is a mechanical limits motor, with the addition of manual override.

This feature allows a roller shutter or awning to be operated by a crank handle in the event of a power failure, as an emergency operation only and is not suitable for general usage.



**PLEASE NOTE:**  
For eyelet & crank handle options see page 56



Product Certificates



## Specifications - 240V / 50Hz

Type	30/17	50/13
Rated Torque (N.m)	30	50
Output Speed (rpm)	17	13
Nominal Consumption (W)	226	244
Nominal Voltage (V)	240	240
Nominal Current (A)	0.95	1.06
Running Time (Min)	4	4
Protection Index (IP)	44	44
Total Length (mm)	625	625
Maximum Turns (Turn)	27	27
Override Turn Ratio	45:1	45:1
Net Weight (Kg)	3.1	3.3
Included C&D	A2404	A2404

# WSME50

30/17  
50/13

manual override with built-in receiver

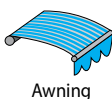
Override head  
Built-in receiver  
Mechanical limits  
3 core motor  
45mm diameter motor

This motor is a remote control version of a mechanical limits motor, with the addition of manual override. This feature allows a roller shutter or awning to be operated by a crank handle in the event of a power failure.

This feature is to allow for emergency operation only and is not suitable for general usage.



**PLEASE NOTE:**  
For eyelet & crank handle options see page 56



Product Certificates



## Specifications - 240V / 50Hz

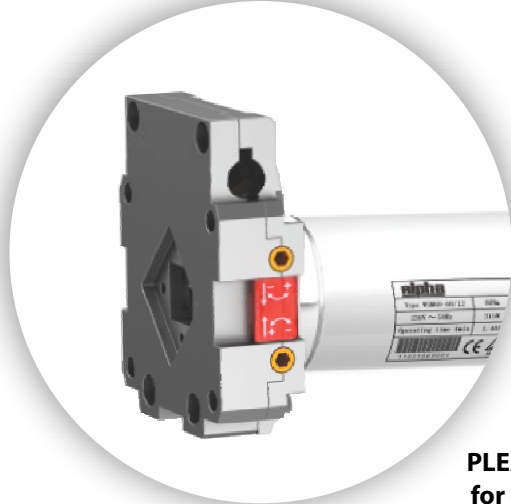
Type	30/17	50/13
Rated Torque (N.m)	30	50
Output Speed (rpm)	17	13
Nominal Consumption (W)	226	244
Nominal Voltage (V)	240	240
Nominal Current (A)	0.95	1.06
Running Time (Min)	4	4
Protection Index (IP)	44	44
Total Length (mm)	740	740
Maximum Turns (Turn)	27	27
Override Turn Ratio	45:1	45:1
Net Weight (Kg)	4.1	4.3
Included C&D	A2404	A2404

# WSM60

manual override

80/12  
120/9  
140/9

Override head  
Mechanical limits  
4 core motor  
60mm diameter motor

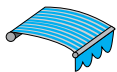


This is a mechanical limits motor, with the addition of manual override. This feature allows a roller shutter or awning to be operated by a crank handle in the event of a power failure. This feature is to allow for emergency operation only and is not suitable for general usage.

## Specifications - 240V / 50Hz

Type	80/12	120/9	140/9
Rated Torque (N.m)	80	120	140
Output Speed (rpm)	12	9	9
Nominal Consumption (W)	370	488	488
Nominal Voltage (V)	240	240	240
Nominal Current (A)	1.6	2.15	2.15
Running Time (Min)	4	4	4
Protection Index (IP)	44	44	44
Total Length (mm)	630	660	660
Maximum Turns (Turn)	27	27	27
Net Weight (Kg)	6.15	6.18	6.18
Included C&D	A2501	A2501	A2501

**PLEASE NOTE:**  
for eyelet and  
crank handle  
options see  
page 56



Awning



Roller Shutter



100mm eyelet  
(included)

### Product Certificates

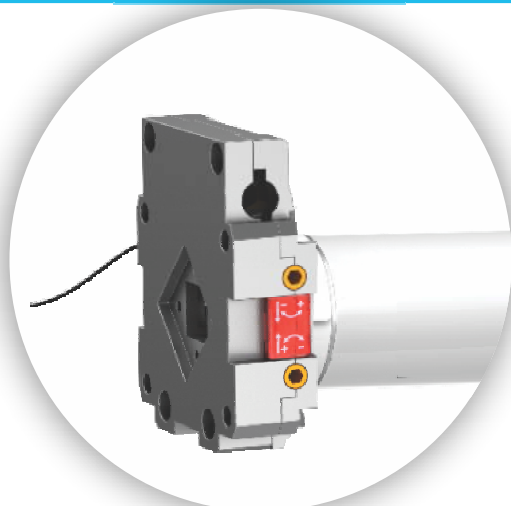


# WSME60

manual override with built-in receiver

80/12  
140/9

Override head  
Mechanical limits  
Built-in receiver  
3 core motor  
60mm diameter motor

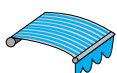


This motor is a remote control version of a mechanical limits motor, with the addition of manual override. This feature allows a roller shutter or awning to be operated by a crank handle in the event of a power failure. This feature is to allow for emergency operation only and is not suitable for general usage.

## Specifications - 240V / 50Hz

Type	80/12	140/9
Rated Torque (N.m)	80	140
Output Speed (rpm)	12	9
Nominal Consumption (W)	370	488
Nominal Voltage (V)	240	240
Nominal Current (A)	1.6	2.15
Running Time (Min)	4	4
Protection Index (IP)	44	44
Total Length (mm)	830	830
Maximum Turns (Turn)	27	27
Net Weight (Kg)	6.15	6.16
Included C&D	A2501	A2501

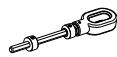
**PLEASE NOTE:**  
for eyelet and  
crank handle  
options see  
page 56



Awning



Roller Shutter



100mm eyelet  
(included)

### Product Certificates





# The Alpha

## Curtain & Vertical Systems



# Curtain Motors

3 core motor  
Electronic limit switch  
Built-in receiver  
Auto limits setting

Soft start and soft stop  
Hand operable during power-off  
Touch control  
3rd intermediate limit position

## WSCMJ-AC-2.0

AC curtain motor



## WSCMI-DC-2.0

Lithium battery curtain motor and wall mount battery pack



**ALDC 16.8V  
charger required**



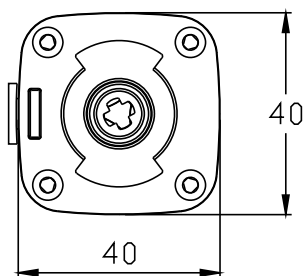
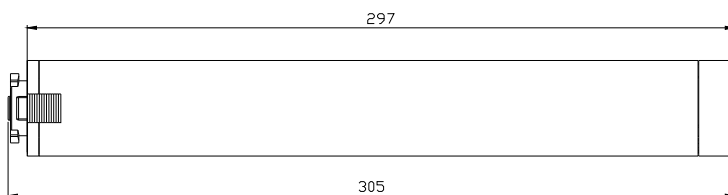
1 metre connecting cable supplied

This curtain motor it's available in both AC (WSCMJ) and DC (WSCMI) versions.

Both are remote control motors that are compatible with all Alpha controllers and our Neo App.

Dry contact control is also available on both for use with switches or relays. Both motors have a hand pull-start function, auto limit setting, and have the same pulling capacity of 50kg.

The curtain can be drawn by hand if power is disconnected. The DC version comes with a wall mount cradle for the battery pack and a removable battery for easier charging.



## Specifications

Type	AC	DC
Rated Torque (N.m)	2	2
Maximum Pulling Weight (kg)	50	50
Running Speed (cm per second)	9/12/14	9/12/14
Nominal Voltage (V)	240	12
Nominal Current (A)	0.47	4
Running Time	∞	∞
Protection Index (IP)	20	20
Total Length (mm)	300	250
Maximum Turns	∞	∞
Net Weight (Kg)	0.92	0.66
Relay or Switch Control	Yes	Yes
Idle Ends Required	CMA2J	CMA2J

Product Certificates



# Curtain Motors

Auto limits setting  
4 core motor  
Hand operable during power-off  
Touch control

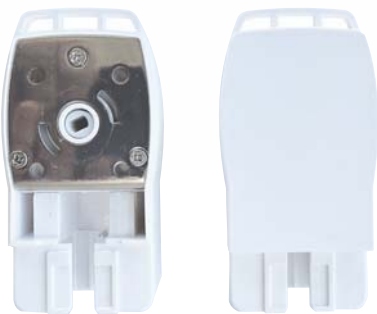
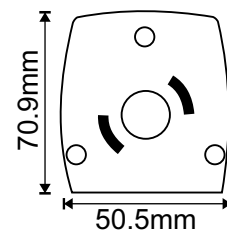
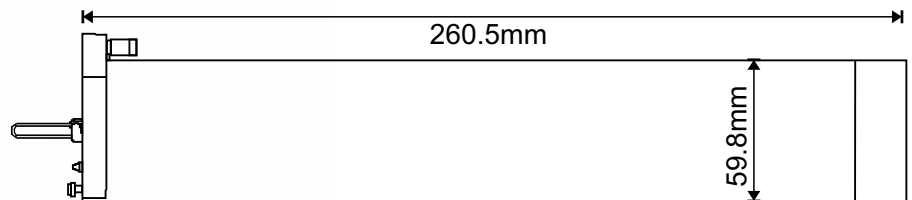
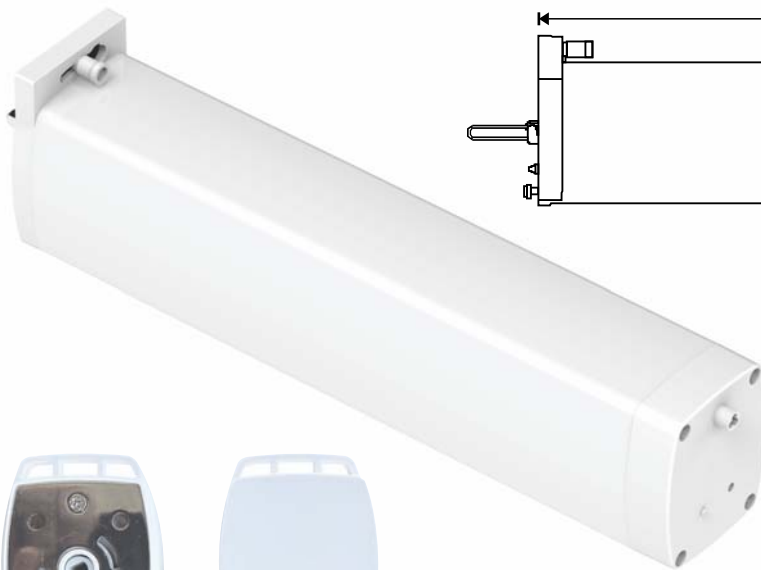
## WSCMXG-AC-1.2

AC 4-core curtain motor

Introducing Alpha's innovative 4-core Curtain Motor which can be used with a 4 wire home automation system or a wall switch.

Features include automatic limit setting and touch control to start motor.

Used with CMA-XG idle ends.



**CMA-XG**  
idle ends

### Specifications

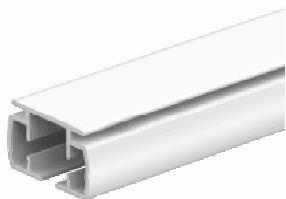
Type	AC
Rated Torque (N.m)	1.2
Maximum Pulling Weight (kg)	30
Nominal Voltage (V)	240
Nominal Current (A)	0.1
Protection Index (IP)	40
Total Length (mm)	260
Maximum Turns	∞
Net Weight (Kg)	1
Idle Ends Required	CMA-XG

Product Certificates



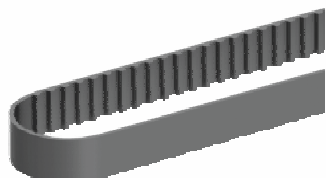
# Curtain Accessories

CMA6



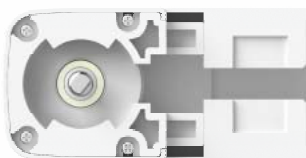
**CURTAIN TRACK**  
motorised aluminium track  
6m lengths, white

CMA1



**DRIVE BELT**  
with high strength non-corrosive  
steel wire  
(minimum qty 100m roll)

CMA2J

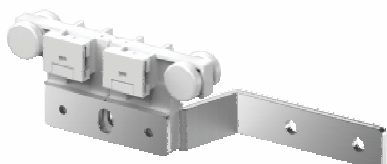


**DRIVE UNIT/IDLE**  
2 required per track  
(Sold in pairs)



**CMA-XG**  
IDLE ENDS  
for 4 core  
motor

CMA3A



CMA3B



**MASTER CARRIER**

CMA3A - Rigid master carrier  
(STRAIGHT TRACK ONLY)

CMA3B - Bendable master carrier  
(FOR USE WITH CORNERS)

1 piece for one side opening  
2 pieces for centre opening

CMA3F



**BENDABLE MASTER CARRIER**  
for S Wave  
Sold in sets of 2

CMA4



**END STOP WITH HOOK**  
2 pieces required per track

CMA5



**RETURN HOOK**  
2 pieces required per track

# Curtain Accessories

CMA6



RUNNER

8 pieces required per metre

CMA8  
(A or B)



RIPPLE FOLD CARRIER WITH PENDANTS

CMA8A - 80mm spacing sold in 40m rolls  
(NOT SUITABLE FOR USE WITH CORNERS)

CMA8B - 60mm spacing sold in 30m rolls

CMA9

BASIC  
TRACK JOINER



CMA9A

PREMIUM  
TRACK JOINER

Almost invisible, super precise connector



CMA10/90

CORNER JOINER  
connector for 2 tracks  
at 90 degree angle



CMA10/135

CORNER JOINER  
connector for 2 tracks  
at 135 degree angle



CMA11



MOUNTING CEILING BRACKETS

CMA12



WALL BRACKETS

base only, requires an additional CMA11  
per bracket

CMA13



EXTENDED DOUBLE WALL BRACKET

base only, requires 2x CMA11 per bracket

# Extendable Curtain Track



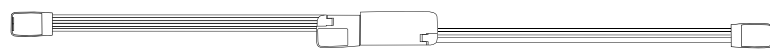
EXTENDABLE TRACKS

RX 17-30

RX 22-40



RX 17-30



RX 22-40



WSCMT-AC-0.9



WSCMI-DC-0.9

Product Certificates



Pleated Curtains

Alpha's extendable curtain track comes pre-assembled and is easy to install. Simply extend the track to the required width and install.

These curtain tracks require our 240 volt 0.9Nm curtain motor (WSCMJ-AC-0.9) or our 12-volt lithium-ion rechargeable curtain motor (WSCMI-DC-0.9). The ALDC16.8V charger is required to charge the lithium-ion battery pack.

## Key features and benefits

- Available for centre opening curtains only.
- Eliminates the hassle of measuring errors on curtain widths.
- Easy transportation for installers.
- Compatible with all Alpha Motors Remote Controls including Alpha Neo Link Box Smart Home System
- App integration includes Amazon Alexa, Siri, Google Assist, Control 4, Savant, IFTTT and Matter.
- Built in receiver with auto limit setting.
- Suitable for pleated curtains.
- Touch Control and can be drawn by hand if power is disconnected.
- Brackets are supplied for top fix and face fix. Optional double face fix brackets are also available.
- Dry contact interface.
- RX 17-30 extendable from 1700mm to 3000mm.
- RX 22-40 extendable from 2200mm to 4000mm.

## Specifications

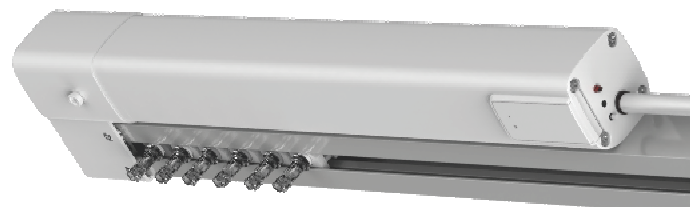
	WSCMT-0.9	WSCMI-0.9
<b>Type</b>	<b>AC</b>	<b>DC</b>
Rated Torque (N.m)	0.9	0.9
Maximum Pulling Weight (kg)	20	20
Running Speed (cm/sec)	9/12/14	9/12/14
Nominal Voltage (V)	240	12
Nominal Current (A)	0.08	1.5
Running Time	∞	∞
Protection Index (IP)	40	40
Total Length (mm)	305	258
Maximum Turns	∞	∞
Net Weight (Kg)	0.77	0.66

# Vertical Motor & Track

Alpha's new motorised vertical/slat-style curtain track and accessories are available for use with the WSCMXF-AC-2.0 and WSCMXF-L-DC-2.0 motors. These motors are operated by the Eclipse RE701V single channel, RE702V two channel or RE703V six channel remote control.

## Key features and benefits

- Left, right or centre opening.
- 180 degree rotation in both directions via the remote control.
- Can be used for Vertical Blinds or Slat style Curtains.
- Quiet operation.
- Adjustable motor speed.
- Touch Control and can be drawn by hand if power is disconnected.
- Built in receiver with auto limit setting.
- The motor is installed horizontally and is hidden behind the track on the lefthand side.
- 75mm & 105mm blade spacing.
- Slow start and slow stop.



WSCMXF-AC-2.0



WSCMXF-L-DC-2.0



ALDC 16.8V charger required



includes DCB007 BATTERY PACK

## Eclipse Vertical Remote Control with slide wheel to rotate blade angle.



**RE701V**

1 channel  
remote



**RE702V**

2 channel  
remote



**RE703V**

6 channel  
remote

## Specifications

Type	AC	DC
Rated Torque (N.m)	2	2
Maximum Pulling Weight (kg)	50	50
Running Speed (cm per second)	9/12/14	9/12/14
Nominal Voltage (V)	100-240	12
Nominal Current (A)	0.1	4
Running Time	∞	∞
Protection Index (IP)	20	20
Total Length (mm)	332	230
Maximum Turns	∞	∞
Net Weight (Kg)	0.77	0.66
Relay or Switch Control	No	No
Charger Required	N/A	16.8V/1A

Product Certificates

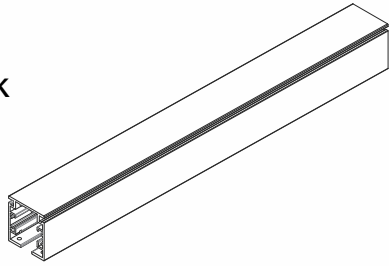


Verticals

# Vertical Track Accessories

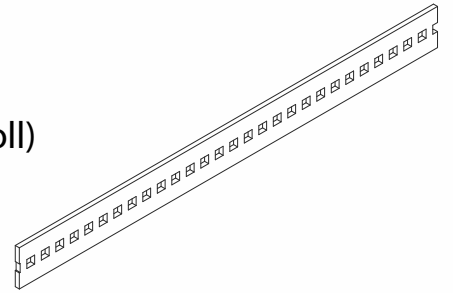
## CMVT

aluminium track  
6 metre lengths  
(6 per pack)



## CMV1

belt  
(100m roll)



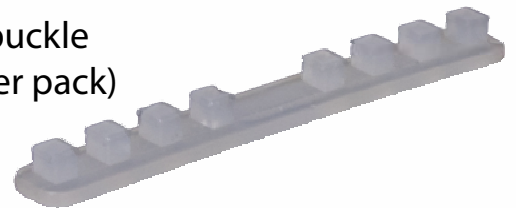
## CMV2

drive pulley  
(10 sets  
per pack)



## CMV3

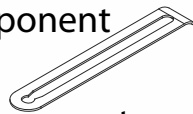
belt buckle  
(10 per pack)



CMV4 75mm spacing component  
(500 per pack)

CMV5 105mm spacing component  
(500 per pack)

CMV8 86mm spacing component  
(500 per pack)



## CMV6

passive runner  
(500 per pack)



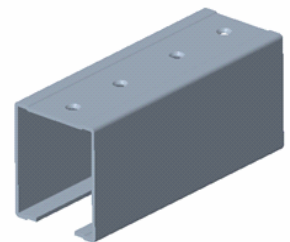
## CMV7

active runner  
(20 per pack)



## CMV9

track joiner



## CMV11

ceiling  
mounting  
bracket  
(100 per pack)



## CMA12

face fix bracket  
(20 per pack)  
also requires  
CMV11



# Alpha-Neo App & Link Box

## ALPHA<sup>NEO</sup>

App integration  
made easy



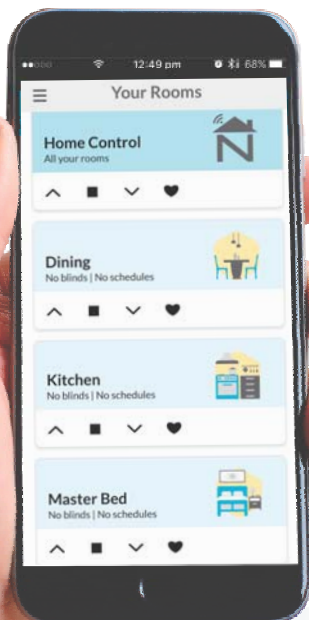
Control4

SAVANT



This app is extremely versatile and easy to set up. It controls motorised products individually, or by area, or the whole house at once from anywhere in the world with an internet connection. All functionality can be scheduled to operate automatically.

Simply purchase the link box and download the free app for either Android or Apple. This app is compatible with all Alpha remote control motors. There is no limit to the number of control devices you can connect. There are 30 control groups (rooms) available and you can add up to 8 blinds per group. Additionally, you can setup up to 40 schedules to automate functionality.



## Specifications

Type	
Nominal Voltage (V)	5
Nominal Current (A)	1
Frequency MHz	433.92
Code Type	Rolling
Power Requirements	5V DC
Number of Channels	Max 240
Total Length (mm)	75
Total Width (mm)	60
Total Height (mm)	25



The Pioneer remotes are a sleek and practical design. Available in single or 4 channel versions without a screen, or 4, 8 or 16 channel versions with a screen, as well as a 4 channel option with timer. Incorporating soft silicone rubber edges and buttons, this is a great remote for use with external products where being a bit more bounce proof is an advantage. All Alpha remotes and receivers are inter-compatible.

### Single Channel



## RE101

### Specifications

<b>Channels</b>	<b>1</b>
Frequency (MHz)	433.92
Codes	Rolling
Wall Mount	Yes
Battery Type	CR2032

### 4 Channel



## RE102

### Specifications

<b>Channels</b>	<b>4</b>
Frequency (MHz)	433.92
Codes	Rolling
Wall Mount	Yes
Battery Type	CR2032

With the 4, 8 & 16 channel remotes you can control 4, 8 or 16 different motors or receivers separately or any group among them.

The RE103-4T is a 4 channel timer remote which can set up 8 different open/close times and also select days of the week.



## RE103

### Specifications

<b>Channels</b>	<b>4, 8, 16, 4T</b>
Frequency (MHz)	433.92
Codes	Rolling
Wall Mount	Yes
Battery Type	CR2032

### Keyring Remote



## RE110

### Specifications

<b>Channels</b>	<b>1</b>
Frequency (MHz)	433.92
Codes	Rolling
Battery Type	CR2032

The Navigator series has an elegant and simple design featuring stainless steel edge trim and a near invisible magnetic wall mount. The stainless finish is much more than simply a trim on the edge. It's actually a solid steel chassis to which the front and back panels are attached. This gives the remote a great deal of structural strength, but additionally adds a significant feel of weight and quality in the hand that customers often notice. Available in single and 5 channel without screens, and 4, 8 and 16 channel with screens as well as single and 4 channel options with timers.



## RE301

### Specifications

<b>Channels</b>	<b>1</b>
Frequency (MHz)	433.92
Codes	Rolling
Magnetic Wall Mount	Yes
Battery Type	CR2032



## RE302

### Specifications

<b>Channels</b>	<b>5</b>
Frequency (MHz)	433.92
Codes	Rolling
Magnetic Wall Mount	Yes
Battery Type	CR2032



## RE303

### Specifications

<b>Channels</b>	<b>4, 8, 16 1T, 4T</b>
Frequency (MHz)	433.92
Codes	Rolling
Magnetic Wall Mount	Yes
Battery Type	CR2032

With the 4, 8 & 16 channel remotes you can control 4, 8 or 16 different motors or receivers separately or any group among them.

The 1T & 4T are single and 4 channel remotes, either of which can set up 8 different open/close times and also select days of the week.



## RE301-LED

The RE301-LED controls the WSER50-50/13 LED Cassette Awning motors. This remote has on/off and dimming function for the LED's.



### Specifications

<b>Channels</b>	<b>1</b>
Frequency (MHz)	433.92
Codes	Rolling
Magnetic Wall Mount	Yes
Battery Type	CR2032

## RE306A

The RE306A is 2 channel remote with separate button sets for each channel for super simplicity.



### Specifications

<b>Channels</b>	<b>2</b>
Frequency (MHz)	433.92
Codes	Rolling
Magnetic Wall Mount	Yes
Battery Type	CR2032

## RE301-i

The RE301-I is a single channel remote, but with the clever function of being able to select 25%, 50% and 75% positions between the set limits. This function works with all Alpha WSER and WSERD series motors.



### Specifications

<b>Channels</b>	<b>1</b>
Frequency (MHz)	433.92
Codes	Rolling
Magnetic Wall Mount	Yes
Battery Type	CR2032

Introducing Alpha's Explorer range of remote controls.

Available in a single channel and a 16 channel version. Unused channels can be deleted from the 16 channel version.

Single Channel



## XE1101

### Specifications

<b>Channels</b>	<b>1</b>
Frequency (MHz)	433.92
Codes	Rolling
Wall Mount	Yes
Battery Type	2xAAA

16 Channel



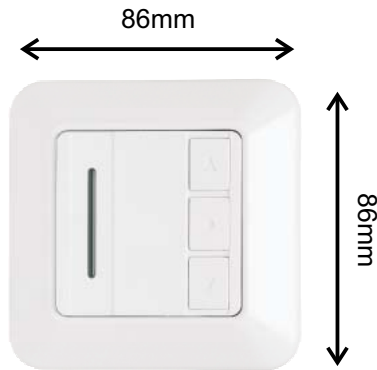
## XE1103

### Specifications

<b>Channels</b>	<b>16</b>
Frequency (MHz)	433.92
Codes	Rolling
Wall Mount	Yes
Battery Type	2xAAA

# Wall Mount Remote Controls

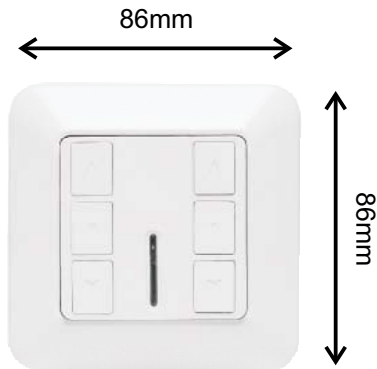
RE201



## Specifications

<b>Channels</b>	<b>1</b>
Frequency (MHz)	433.92
Codes	Rolling
Wall Mount	Yes
Battery Type	CR2032

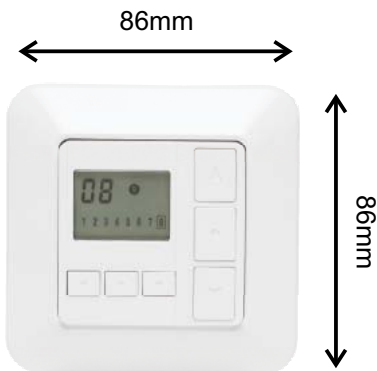
RE202



## Specifications

<b>Channels</b>	<b>2</b>
Frequency (MHz)	433.92
Codes	Rolling
Wall Mount	Yes
Battery Type	CR2032

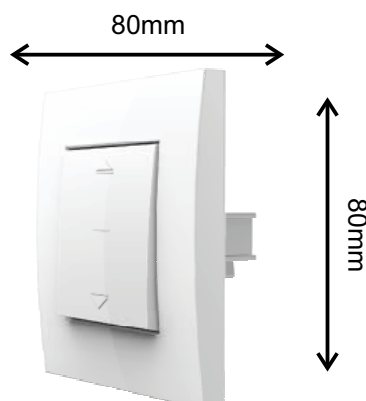
RE203-8C



## Specifications

<b>Channels</b>	<b>8</b>
Frequency (MHz)	433.92
Codes	Rolling
Wall Mount	Yes
Battery Type	CR2032

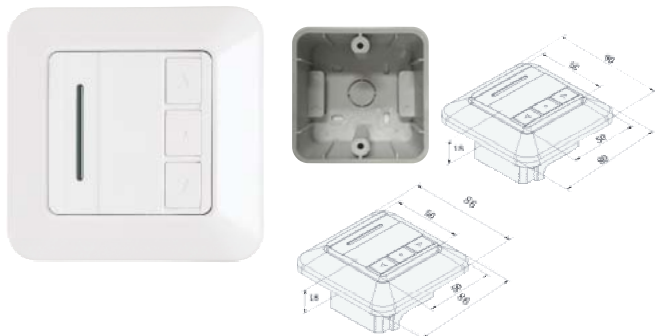
A3623  
**Hard Wired  
 Wall Switch**



Mechanical locking paddle  
 switch for WSEC & WSS  
 Series motors

# Receivers

## RC201 (MZ01 optional back box)

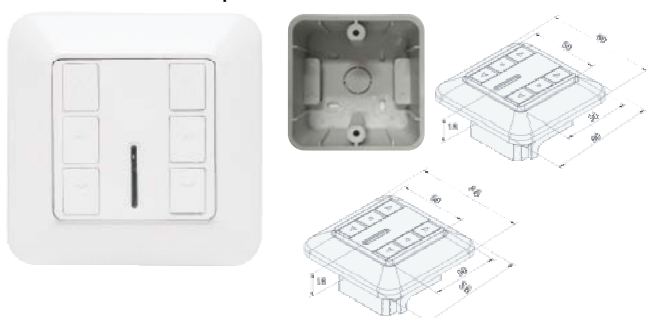


### Specifications

<b>Connect with motor</b>	<b>1 unit</b>
Frequency (MHz)	433.92
Codes	Rolling
Receiver Power	400W
Voltage	230V 50Hz

Able to operate with a maximum of 15 remotes

## RC202 (MZ01 optional back box)



### Specifications

<b>Connect with motor</b>	<b>2 units</b>
Frequency (MHz)	433.92
Codes	Rolling
Receiver Power	600W
Voltage	230V 50Hz

Able to operate with a maximum of 15 remotes

## RC001



Receiver for 60mm motors. Control buttons on side for up, down and stop.

### Specifications

<b>Connect with motor</b>	<b>1 unit</b>
Frequency (MHz)	433.92
Codes	Rolling
Receiver Power	800W
Voltage	230V 50Hz

Able to operate with a maximum of 15 remotes

## RC006

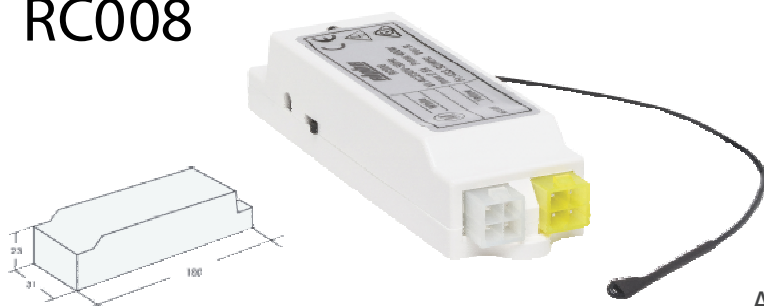


### Specifications

<b>Connect with motor</b>	<b>1 unit</b>
Frequency (MHz)	433.92
Codes	Rolling
Receiver Power	400W
Voltage	230V 50Hz

Able to operate with a maximum of 15 remotes

## RC008



### Specifications

<b>Connect with motor</b>	<b>1 unit</b>
Frequency (MHz)	433.92
Codes	Rolling
Receiver Power	400W
Voltage	230V 50Hz

Able to operate with a maximum of 15 remotes



AUTOMATION  
SYSTEM CONTROL  
OF REMOTE  
CONTROL  
MOTORS

This device is a single channel remote control that plugs into a power point for permanent power and is controlled by connecting the device to relays in a control system or other switches. There are 4 wires connecting this item: common, up, stop and down. When the common wire comes into contact with any of the control wires, the function for that wire will be sent out to any WSER series motors or remote receivers this device is assigned to.

This device allows remote control Alpha motors to be operated by a huge variety of building management systems, automation equipment, press buttons or key turn switches as well as a remote control. This device is not practical for use in setting up the motors it will control. This must be done with a standard remote and the RE-DCE can be assigned to the motor separately for additional control options.

When planning your job with this item, only allow for connection to relays or switches that make contact as long as a button or switch is pressed and release automatically afterwards. Do not use rotary switches or switches that lock into position as the item will continue to send out the signal for as long as contact is made. This could produce unwanted results.

## RE-DCE Specifications

<b>Channels</b>	<b>1</b>
Frequency (MHz)	433.92
Codes	Rolling
Wall Mount	Yes
Voltage	240V 50Hz

Product Certificates



# Motion Sensors

Safety device for  
cassette and folding arm  
awnings

*Available in black or white*



This item attaches to the front channel of a folding Arm Awning/Cassette at either end. It measures the angle of the front bar and the amount of movement created by wind. When the sensitivity setting is reached, it sends a signal to the awning to close.

When used with a Universal or Cassette Awning motor, it will send a pulse to the motor a few times an hour telling the motor it's there and working. If the motor stops detecting this pulse due to flat batteries or failure, it will automatically retract the awning after about half an hour to both protect the awning and to alert the owner that the motion sensor is not working. Once the pulse is restored (usually by installing new batteries) normal operation will resume.



Although this item will control a Universal motor, the Universal motor does not have the extra protective functions mentioned above if the item stops sending the pulse. The motion sensor is a more reliable method of protection than the Sun/Wind sensors as it responds to actual physical movement of the front bar and not the wind speed detected by a device mounted nearby.

This unit has 9 pre-determined sensitivity settings.

**Cannot be used in conjunction with Sun/Wind Sensors.**

**RS005W** (white)

**RS005B** (black)

## Specifications

Frequency (MHz)	433.92
Codes	Rolling
Protection Index	IP44
Battery Type	2xAAA

Product Certificates





# Sun & Wind Sensors

This devices cannot be used in conjunction with Motion Sensors

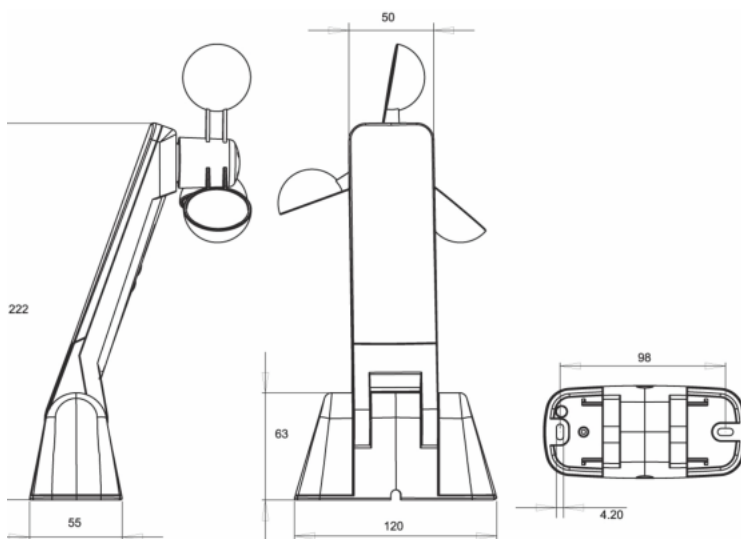
- Programmable with 5 wind speed and 9 light intensity settings.
- Sun sensor can be disabled if required.
- For use with WSER Series motors.

## S001 Specifications

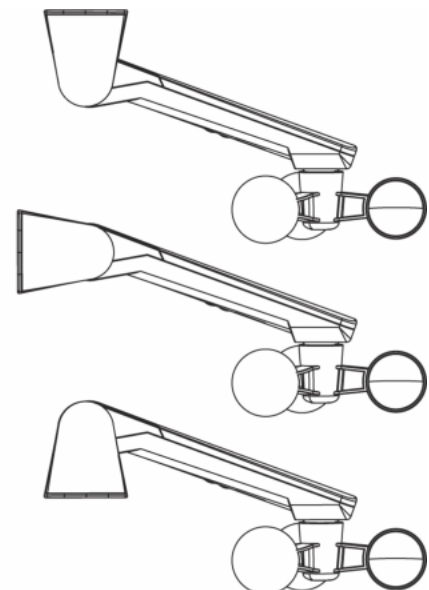
Frequency (MHz)	433.92
Codes	Rolling
Protection Index	IP44
Display	LED
Power	Solar Panel & Rechargeable Battery



## Dimension Drawing



## Installation Drawing



# Accessories



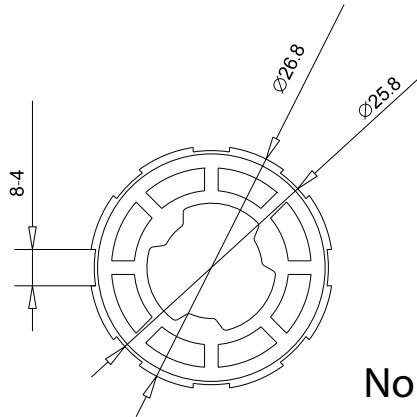
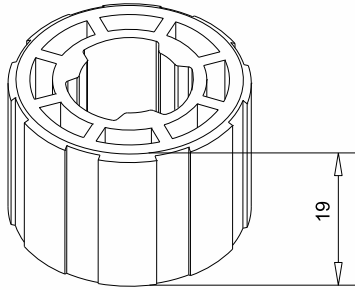
# **Alpha**

**TUBULAR MOTORS PTY LTD**

**MOTORISATION MADE EASY**

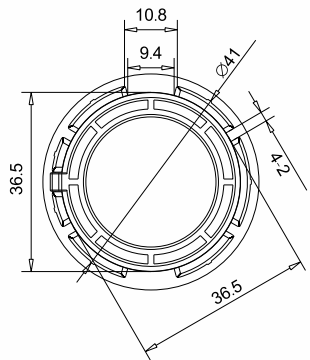
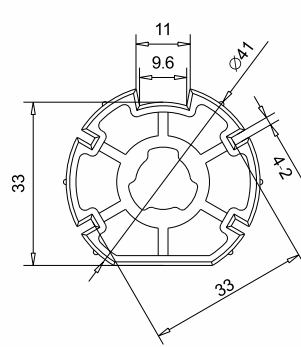
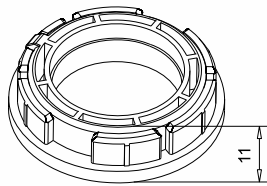
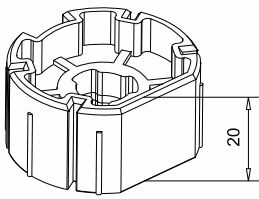
# Crown & Drive Adapters

## A2201

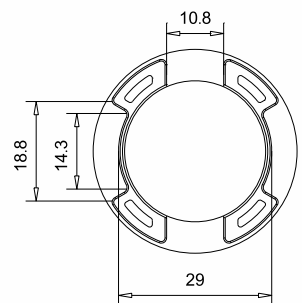
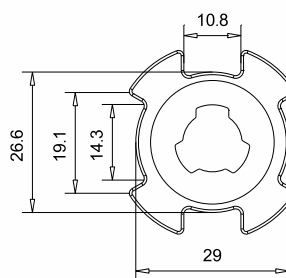
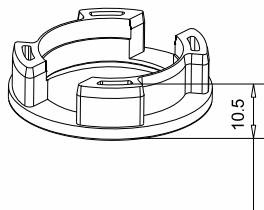
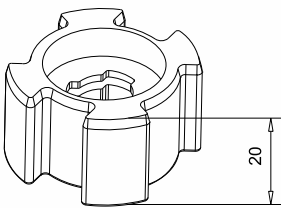


No crown required

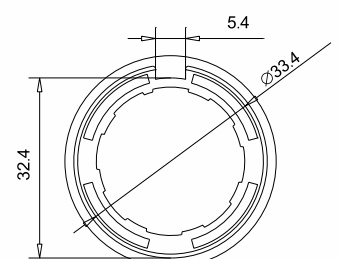
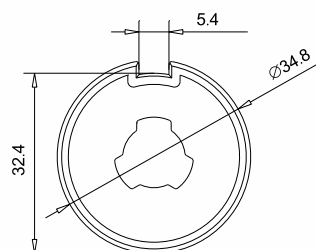
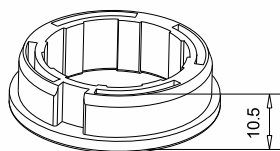
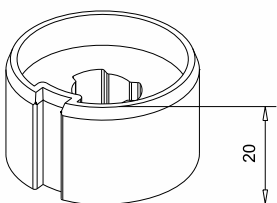
## A2202



## A2203

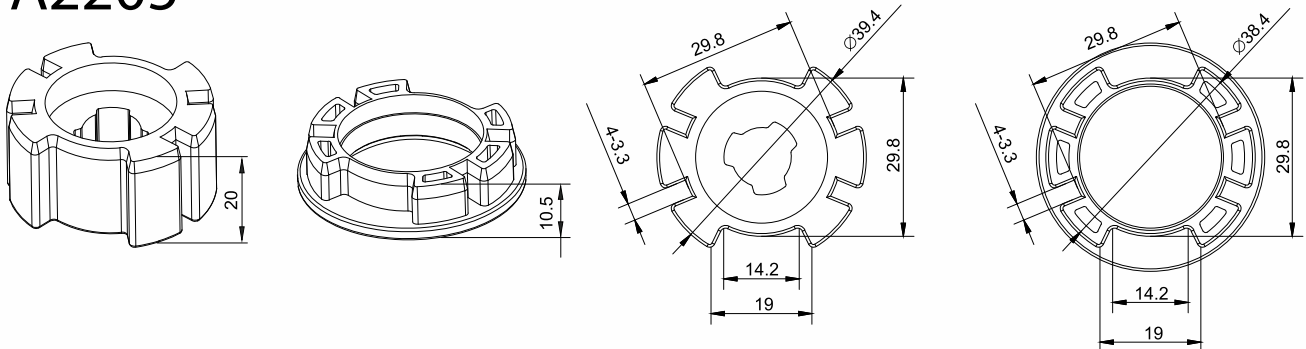


## A2204

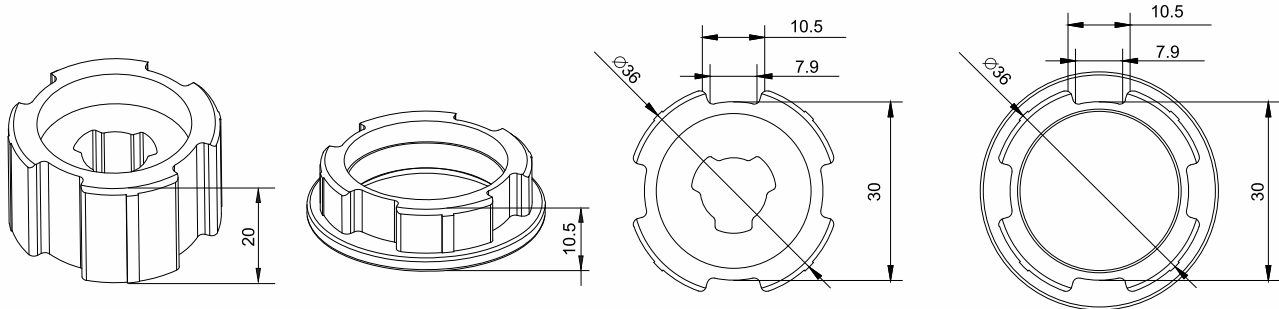


# Crown & Drive Adapters

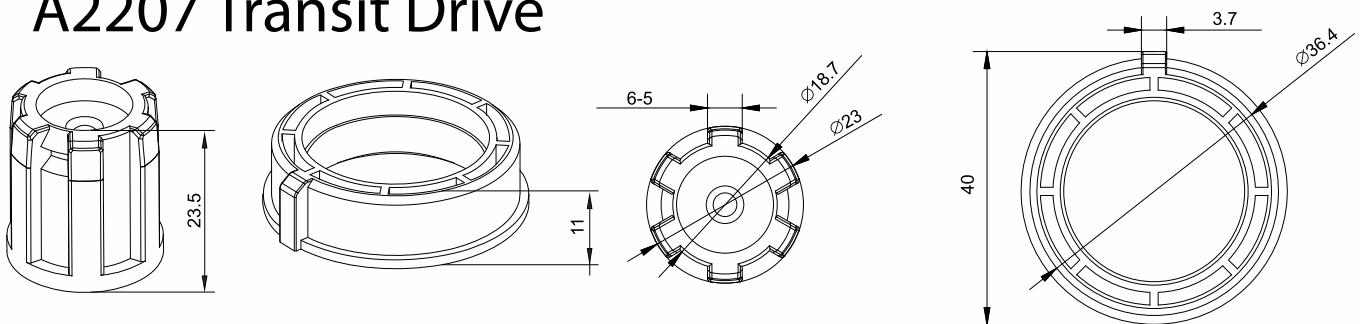
## A2205



## A2206

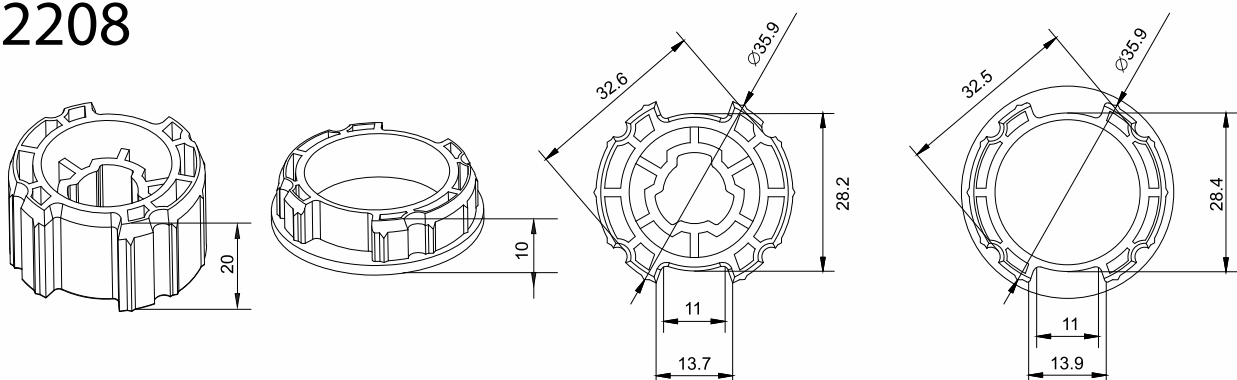


## A2207 Transit Drive



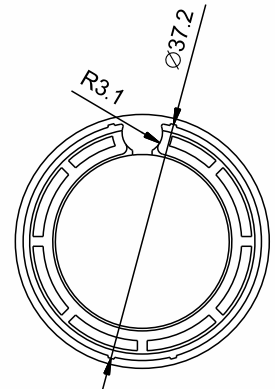
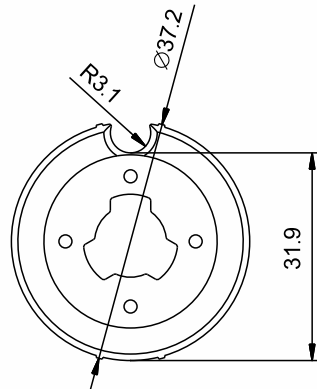
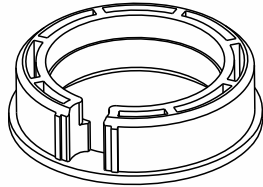
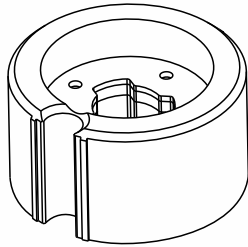
These are adaptors to allow connection of our 35mm motor fittings onto a 25mm motor.

## A2208

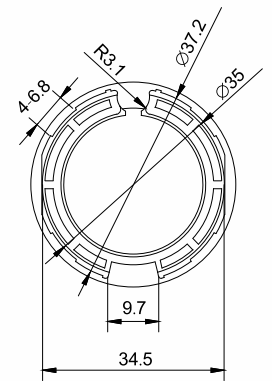
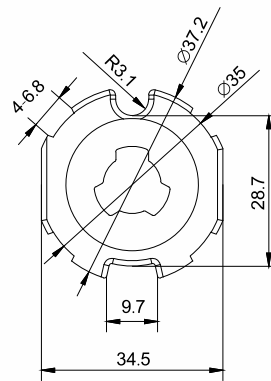
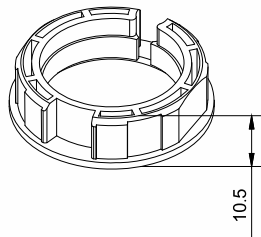
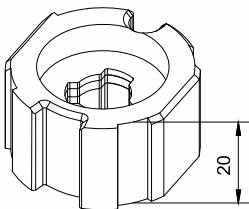


# Crown & Drive Adapters

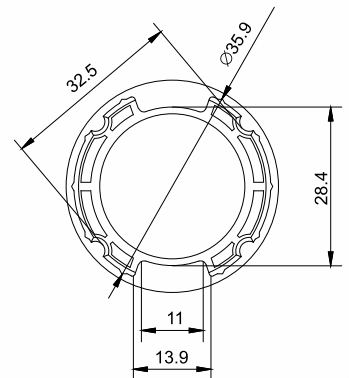
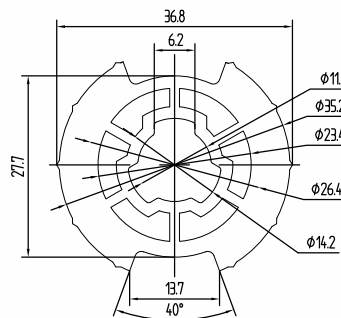
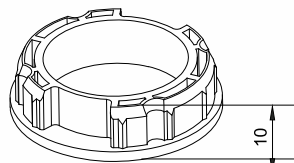
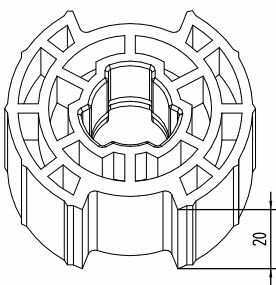
## A2213



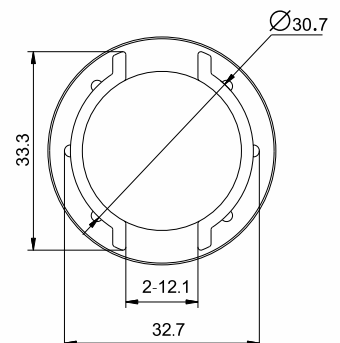
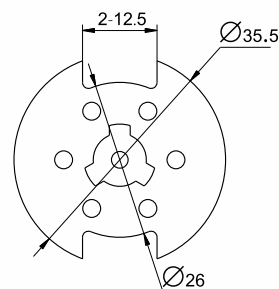
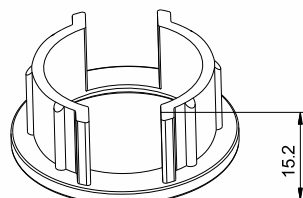
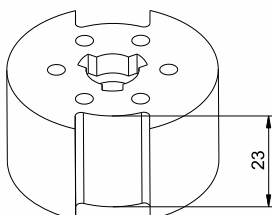
## A2214



## A2215

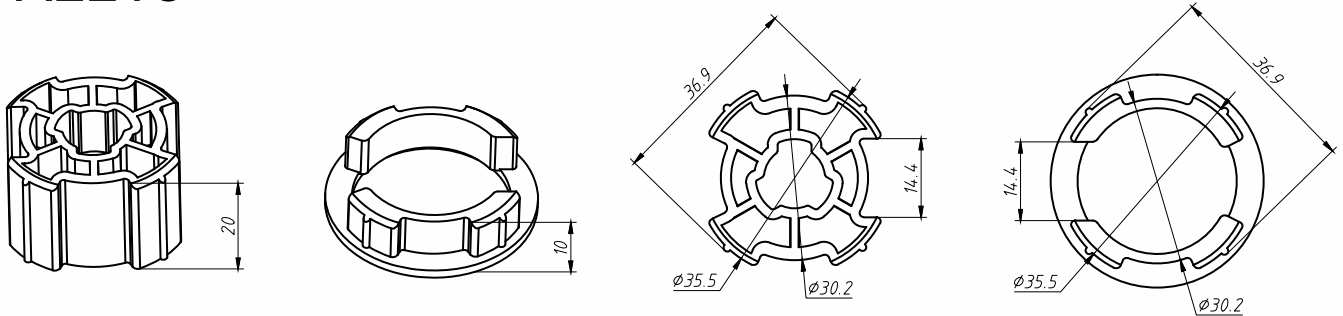


## A2217

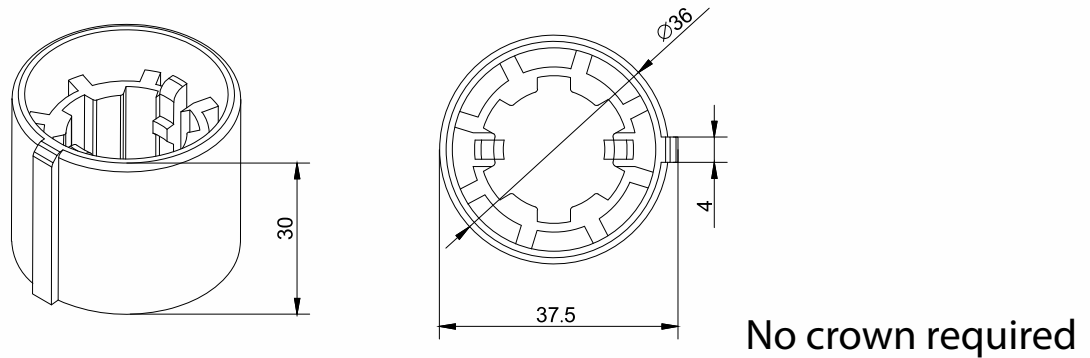


# Crown & Drive Adapters

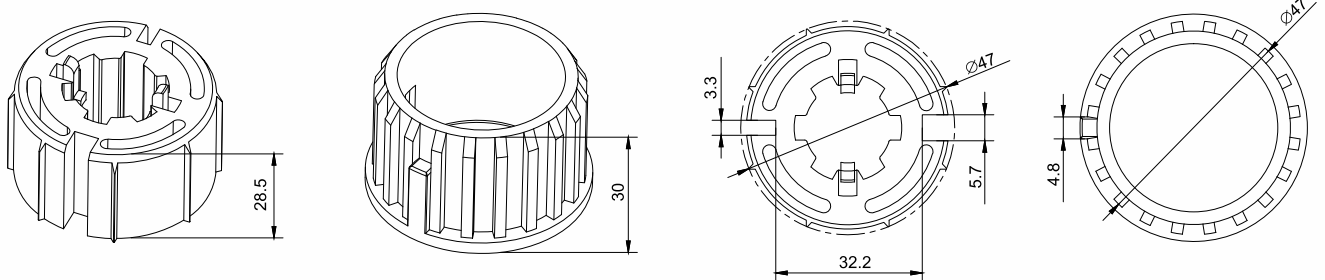
## A2218



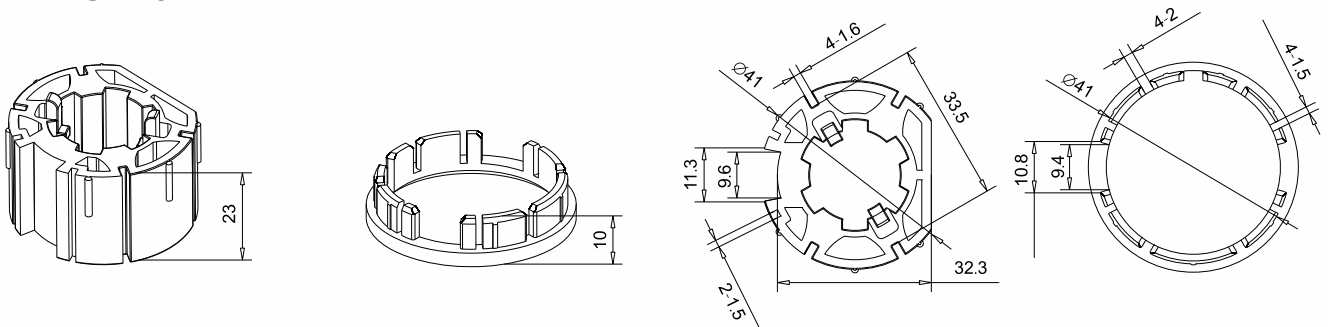
## A2305



## A2307

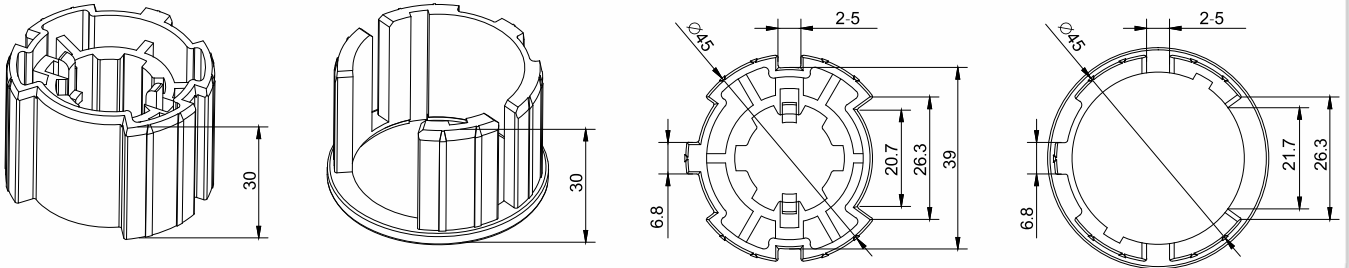


## A2310

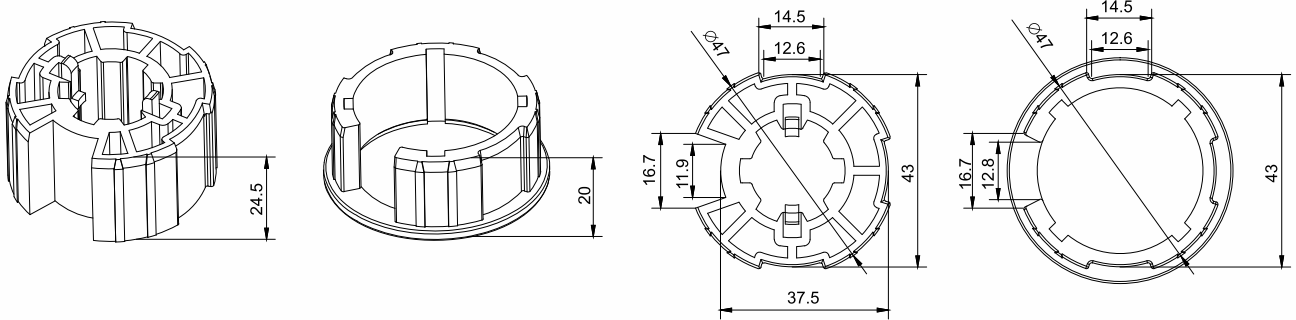


# Crown & Drive Adapters

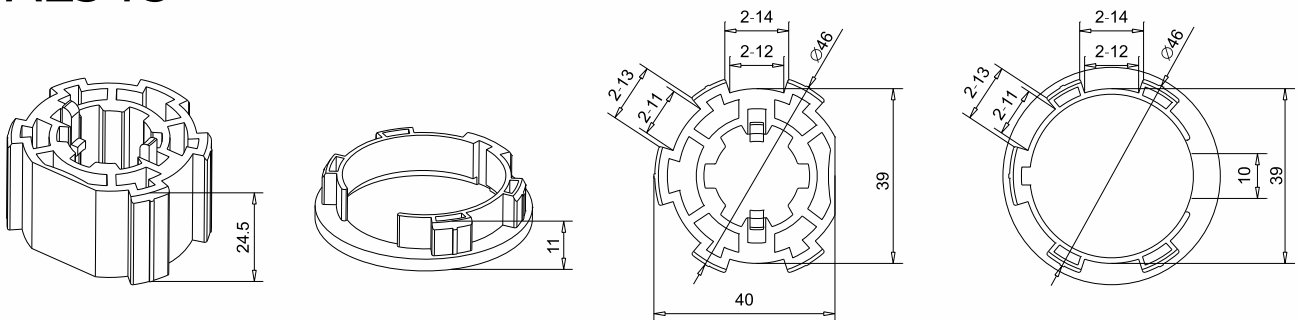
## A2313



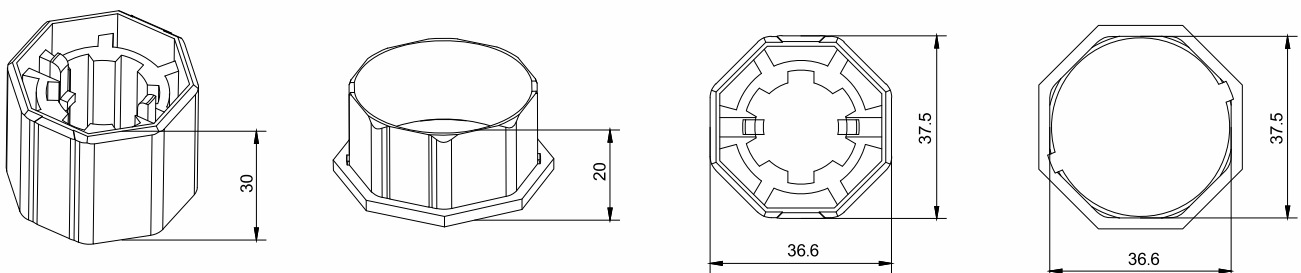
## A2314



## A2315

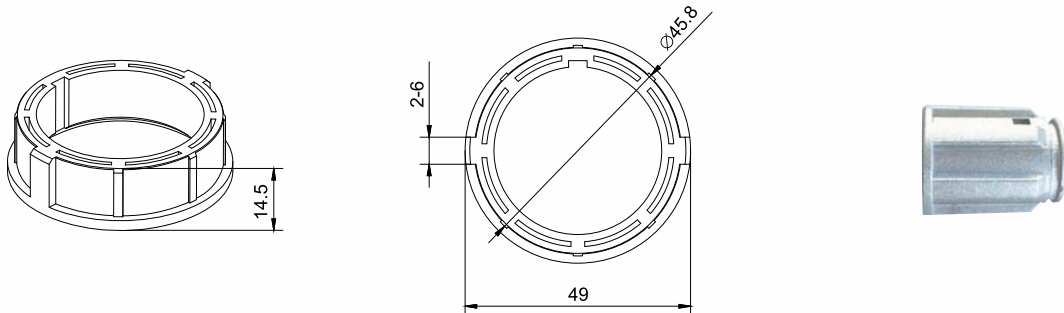


## A2320

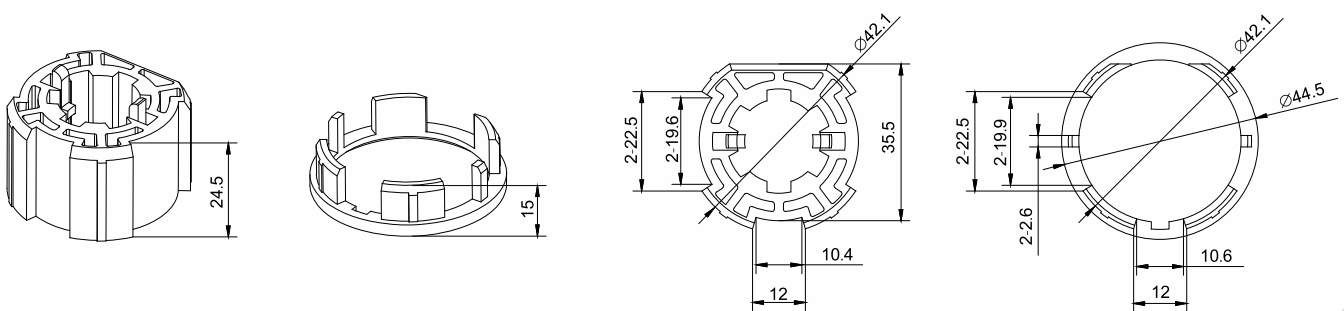


# Crown & Drive Adapters

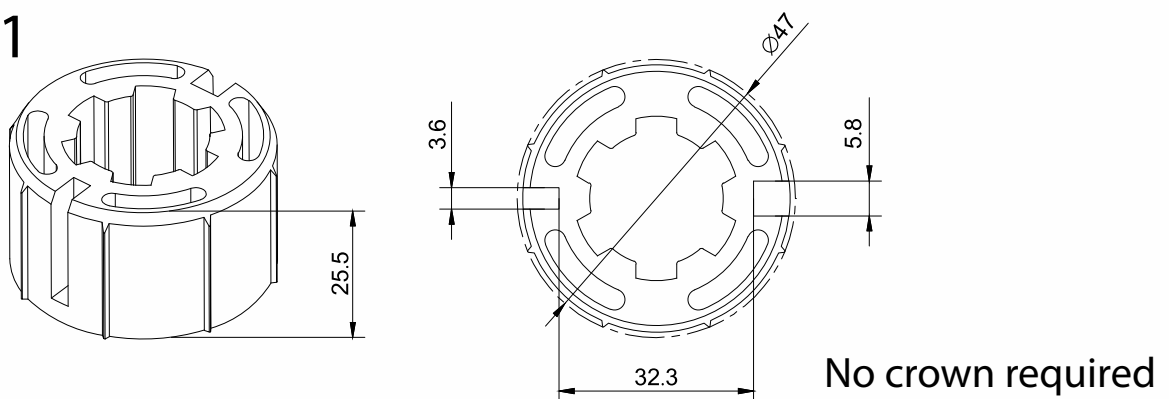
## A2324 and Aluminum transit drive



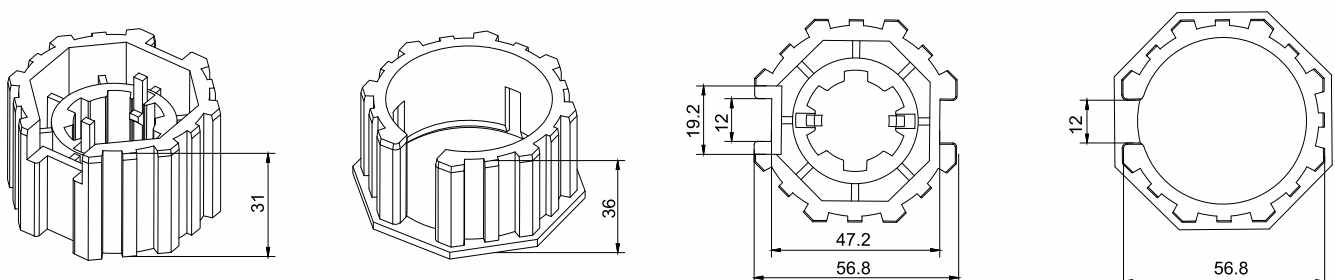
## A2334



## A2401



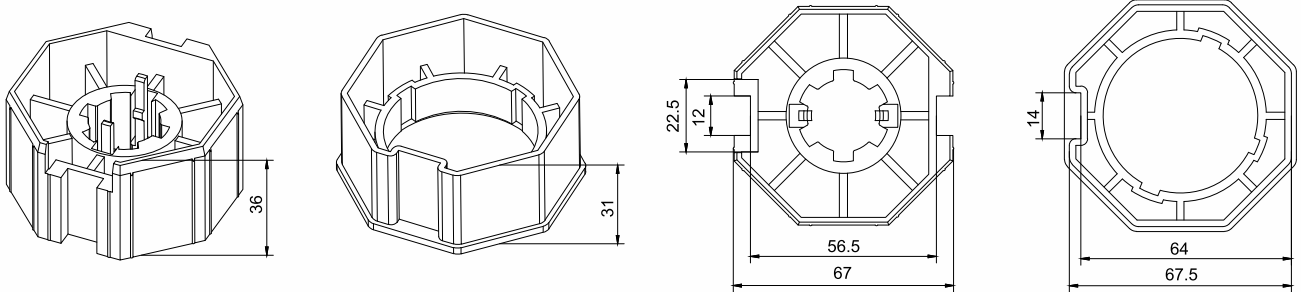
## A2404



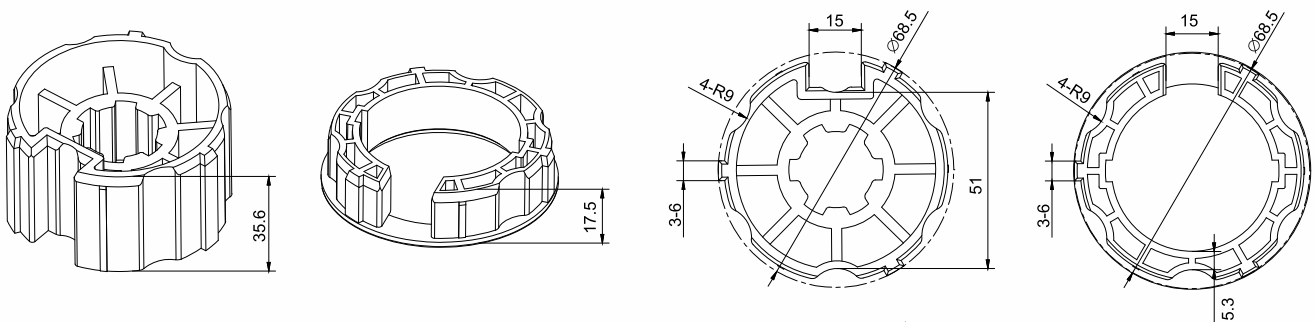


# Crown & Drive Adapters

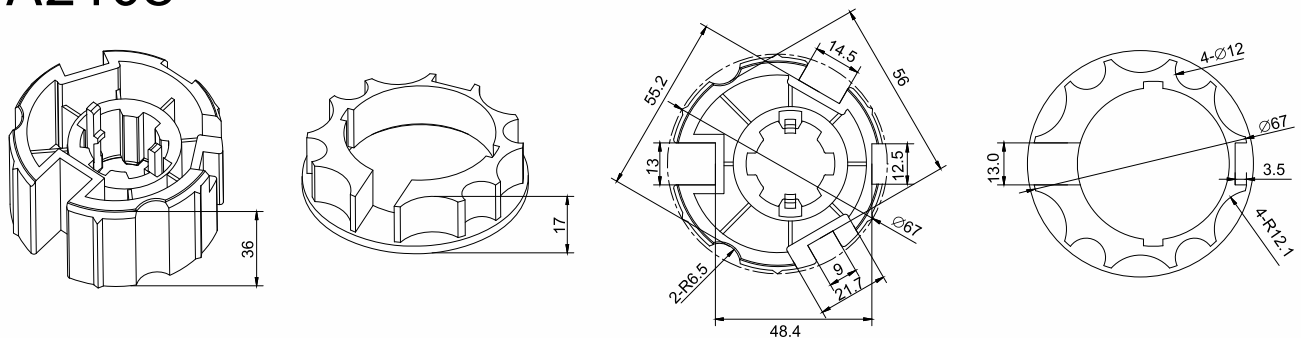
## A2406



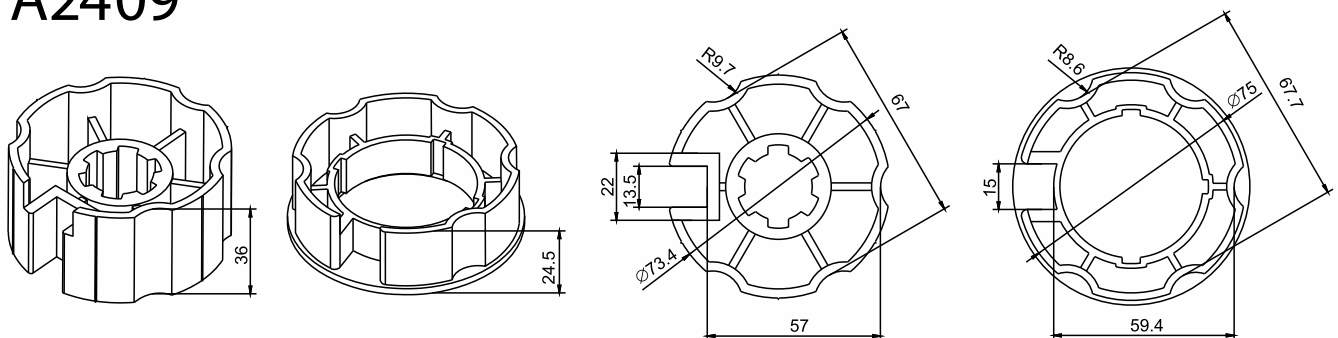
## A2407



## A2408

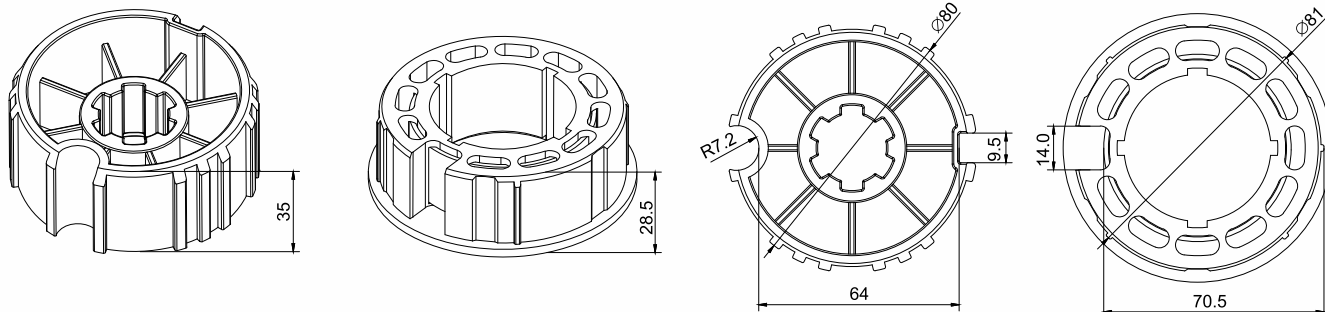


## A2409

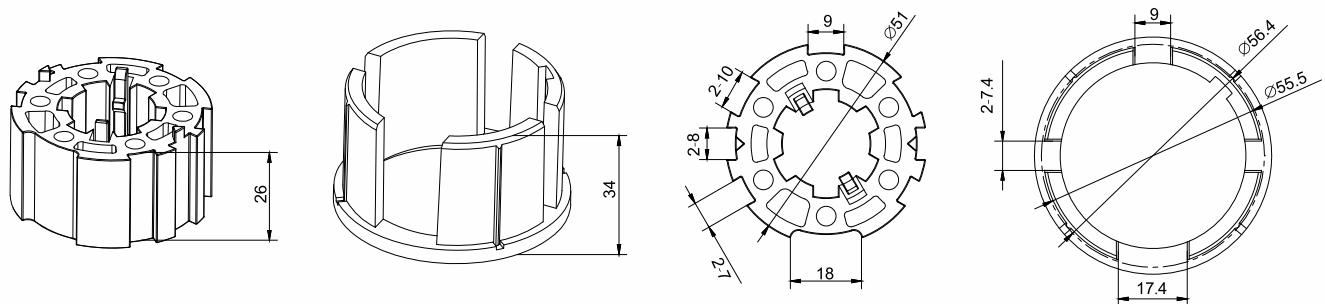


# Crown & Drive Adapters

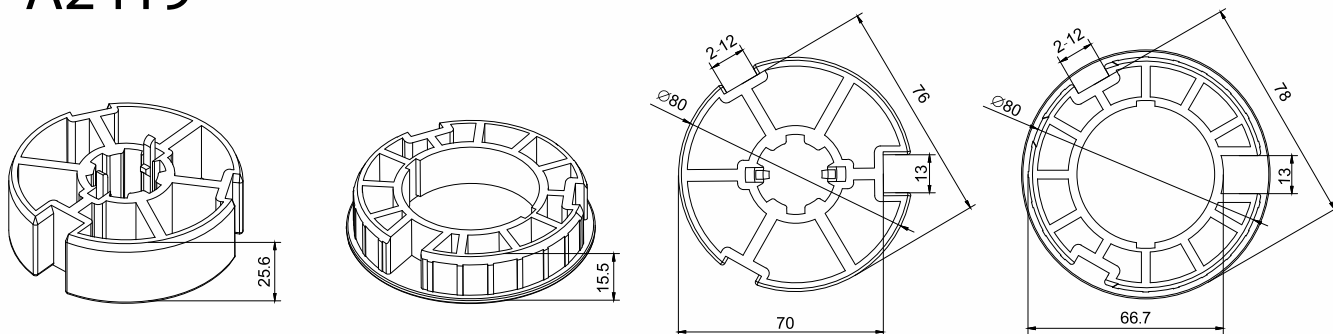
## A2410



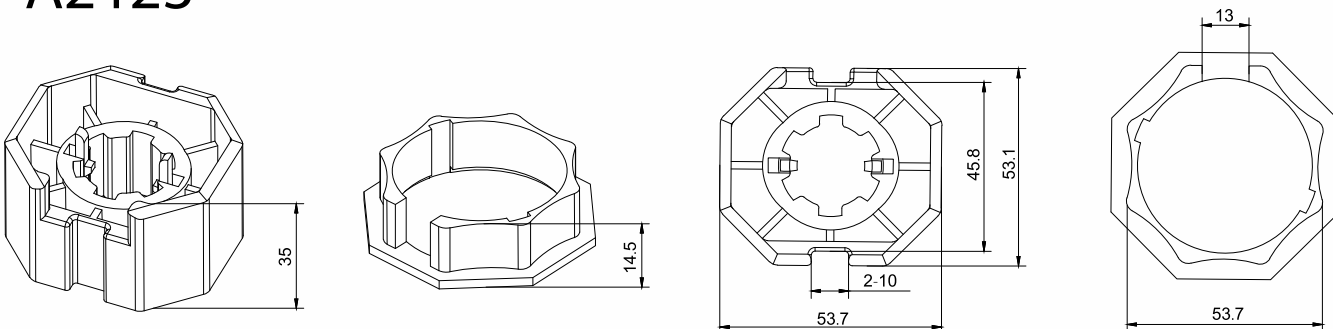
## A2415



## A2419

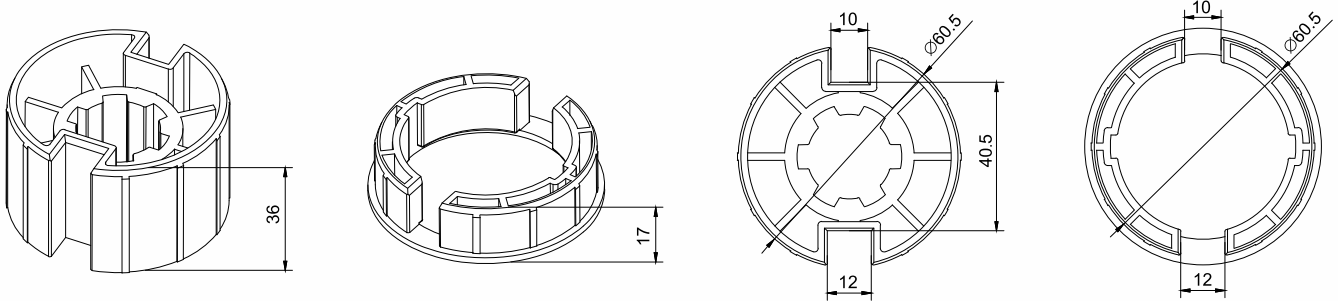


## A2423

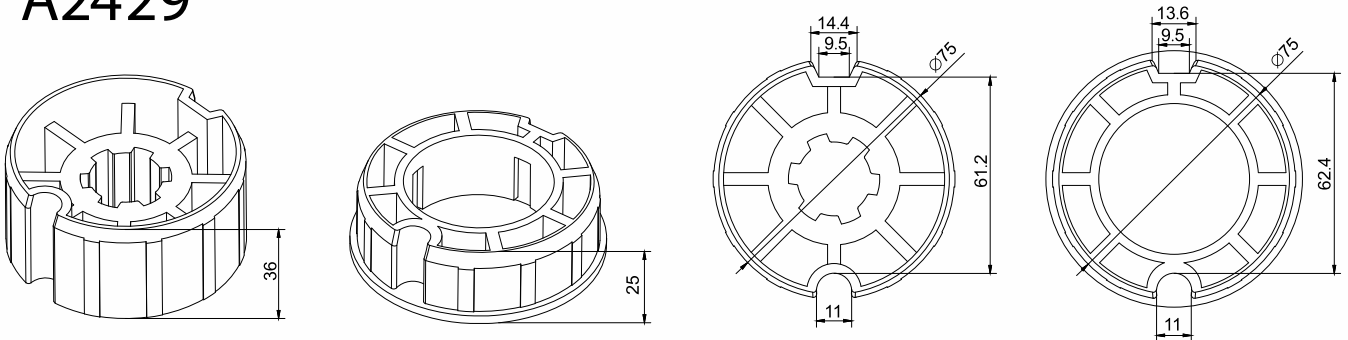


# Crown & Drive Adapters

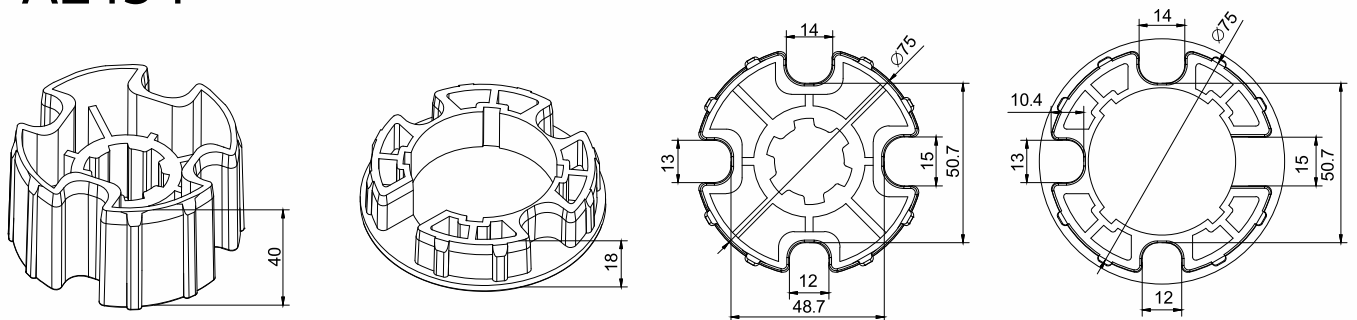
## A2424



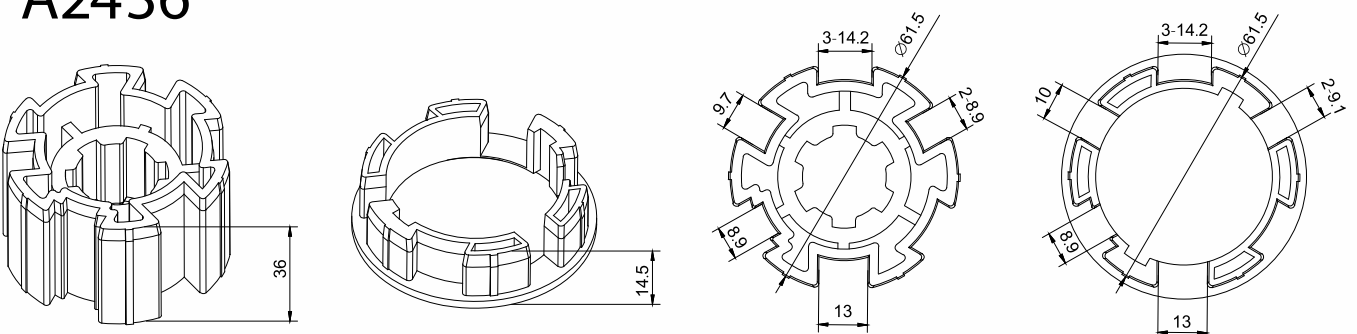
## A2429



## A2434

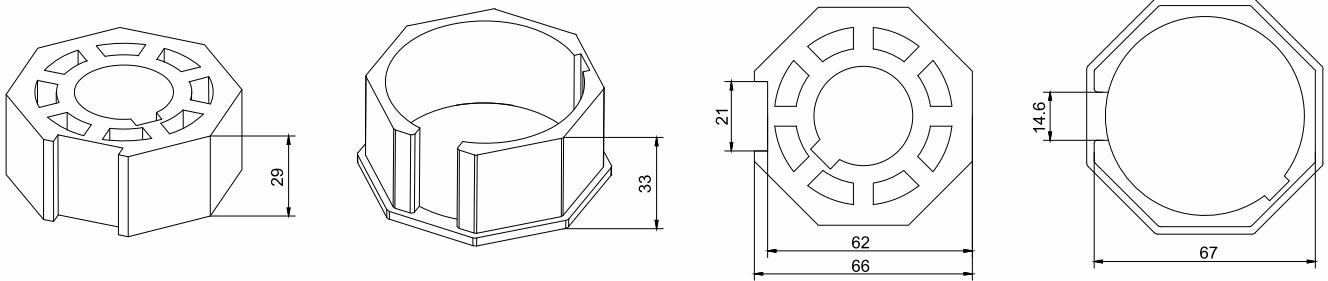


## A2436

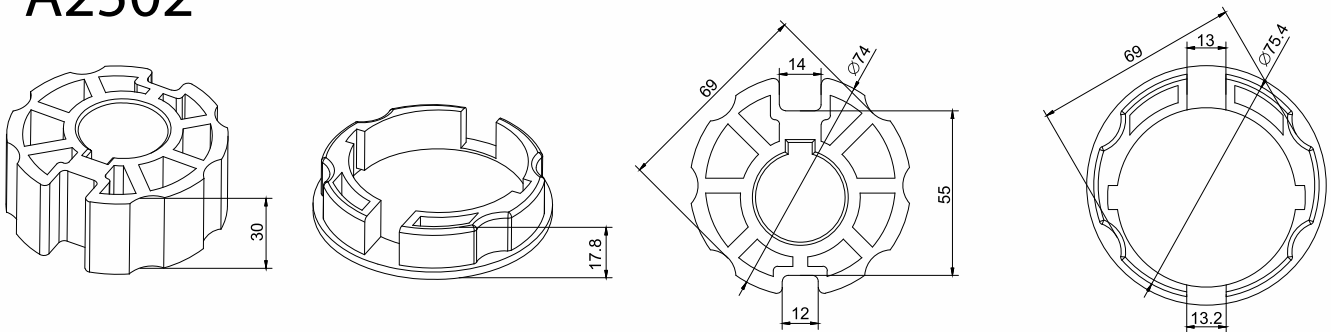


# Crown & Drive Adapters

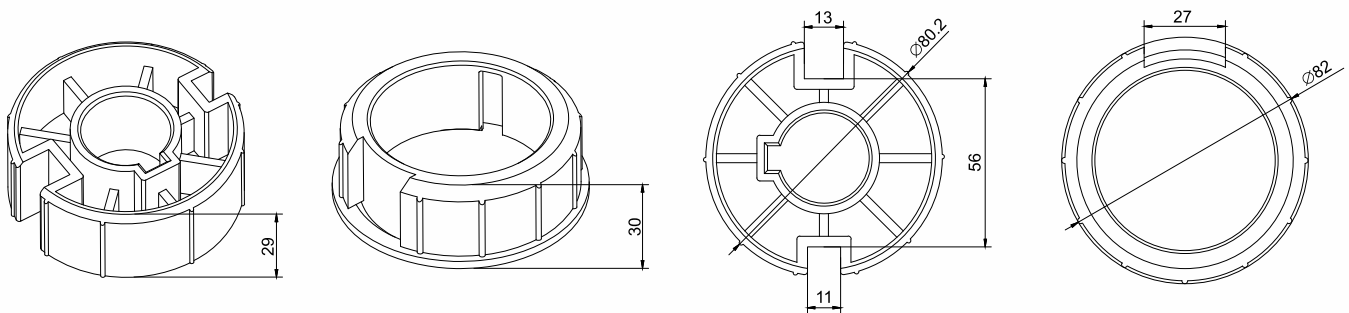
## A2501



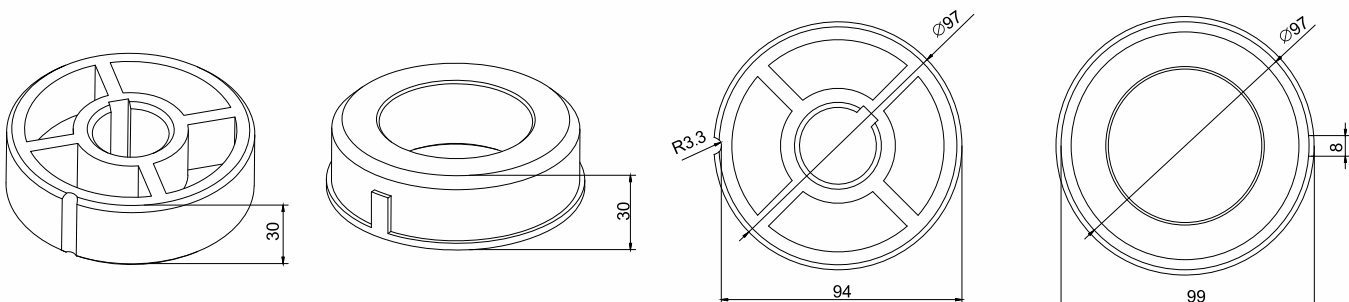
## A2502



## A2503



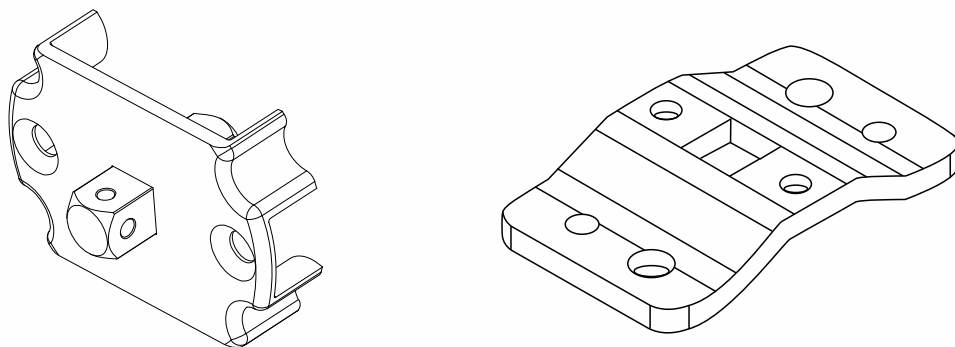
## A2505



# Brackets

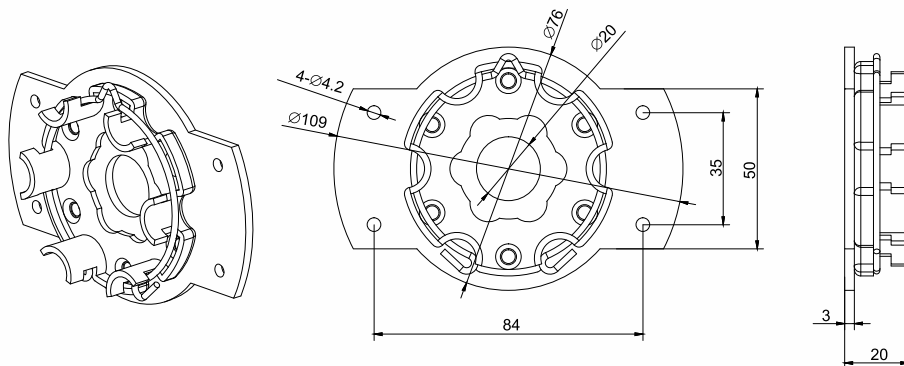
The brackets on this page are for the WSER50 30/17 OD and the WSER50-50/13 LED Cassette Awning motors only.

## A3438



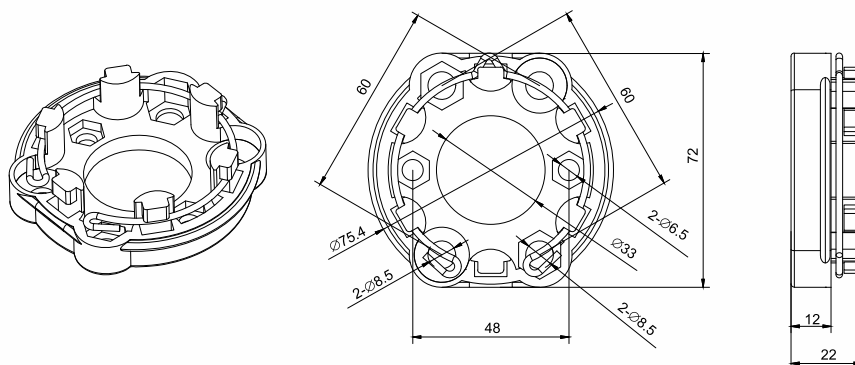
Motor bracket and mounting plate for star head motor only.

## A3439



Quick release mounting plate to secure star head motor.

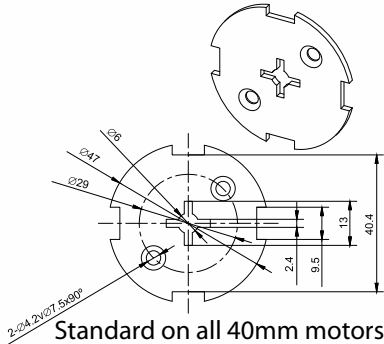
## A3440



Quick release mounting plate to secure star head motor.

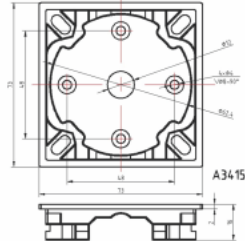
# Brackets

## A3304



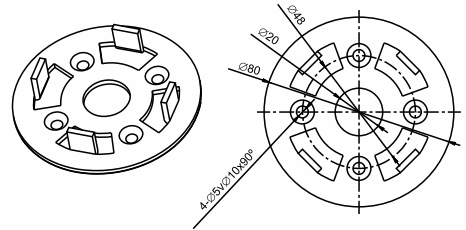
Standard on all 40mm motors

## A3415



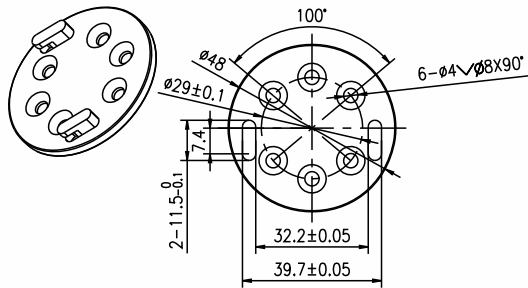
Fast Plug Adapter  
locks motor head into place

## A3405



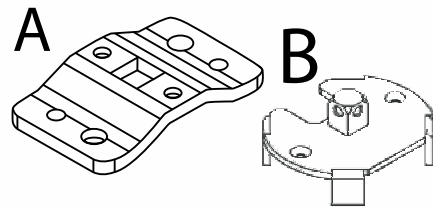
Non lockable bracket for  
50mm motors used internally

## A3207



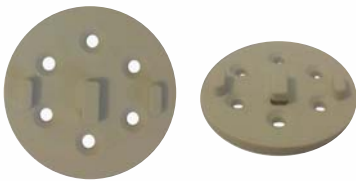
Westral motor plate

## A3005



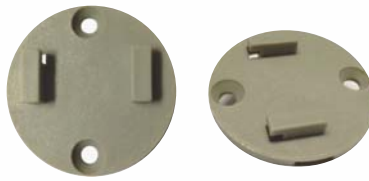
Block and Pin style bracket  
Available galvanised or in stainless steel

## A3320



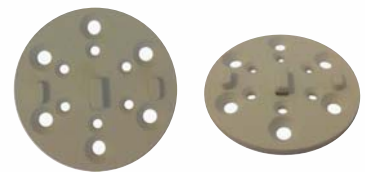
Jai 40mm motor plate

## A3310



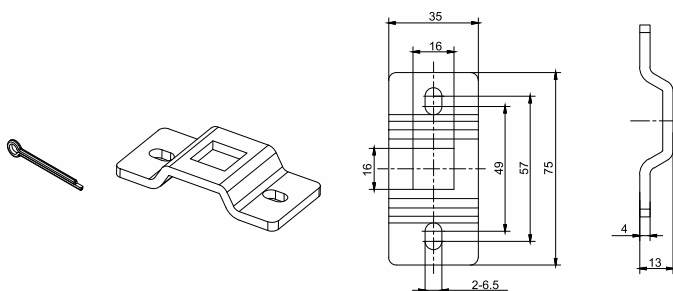
Blindware 40mm motor plate

## A3420

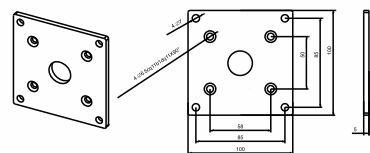


Jai 50mm motor plate

## A3006-01



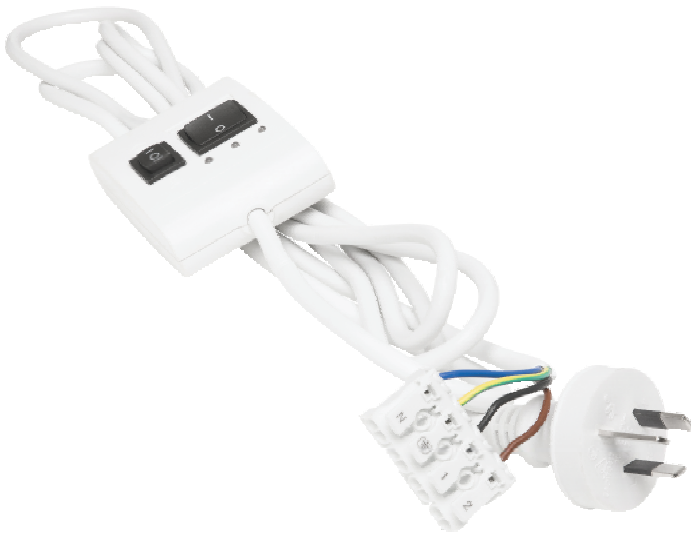
## A3501-H



# Limit Setting Device & Test Lead



## WSB01 Limit Setting Device



### Specifications

Limit Setting Device Programming Tool

This device is for setting the limits on WSEC series motors.

All buttons are spring loaded so use as a method of powering other motors temporarily while programming is impractical.



## WSB12 Test Lead



### Specifications

Test Lead

This item allows you run 4 core WSS series motors in either direction while you set limits.

Alternatively you can use it as a temporary means of powering up 3 core remote control motors while you set limits. Switch is locking so it does not need to be held down.



# Cables & Manual Override

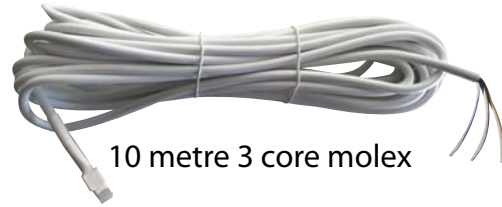
## Molex Cables

AM3CM



3 metre 3 core cable

10M3CM



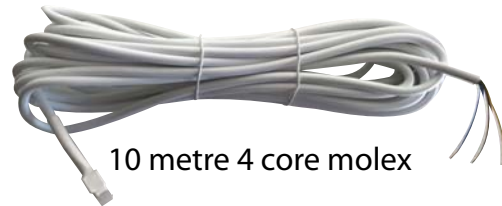
10 metre 3 core molex

AM4CM



3 metre 4 core cable

10M4CM



10 metre 4 core molex

## Molex Extenders

Extends the distance between Molex tail and motor.

4 core 20cm extension



4 core 60cm extension



## Extension Cables for DC Motors

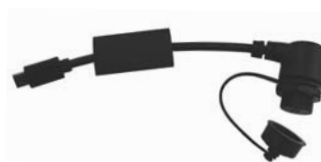
EXT USB-C 20cm



EXT USB-C 3m



USB-C CP 150mm



USB-C CP 1.5m



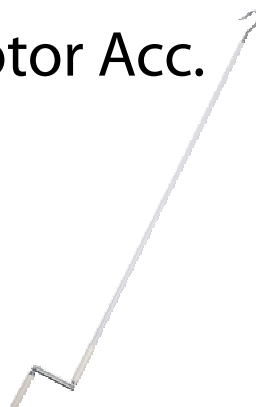
## Manual Override Motor Acc.

### A3018 Crank Handle

This item is for manual override motors, and is 1.2m in length

### A3018-3 Crank Handle

This item is for manual override motors, and is 3m in length



### A3047

### Eyelet

Optional 300mm length motor comes supplied with 100mm version





# Folding Arm Motor Guide

The RED **80+Nm** listings in the 70mm tube section below indicates that this motor is incompatible with a 70mm tube, due to its physical size.

## 70MM TUBE

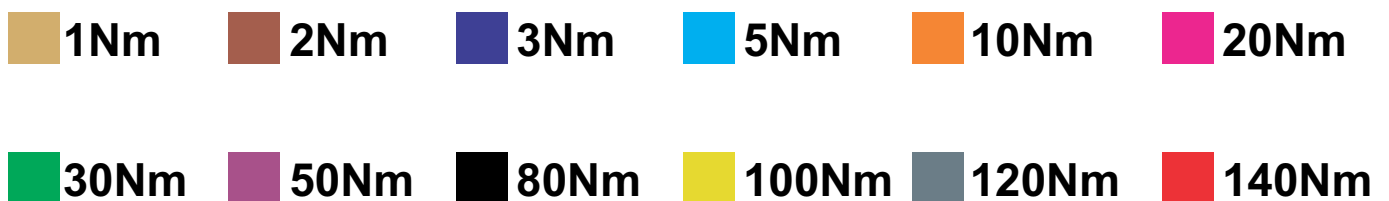
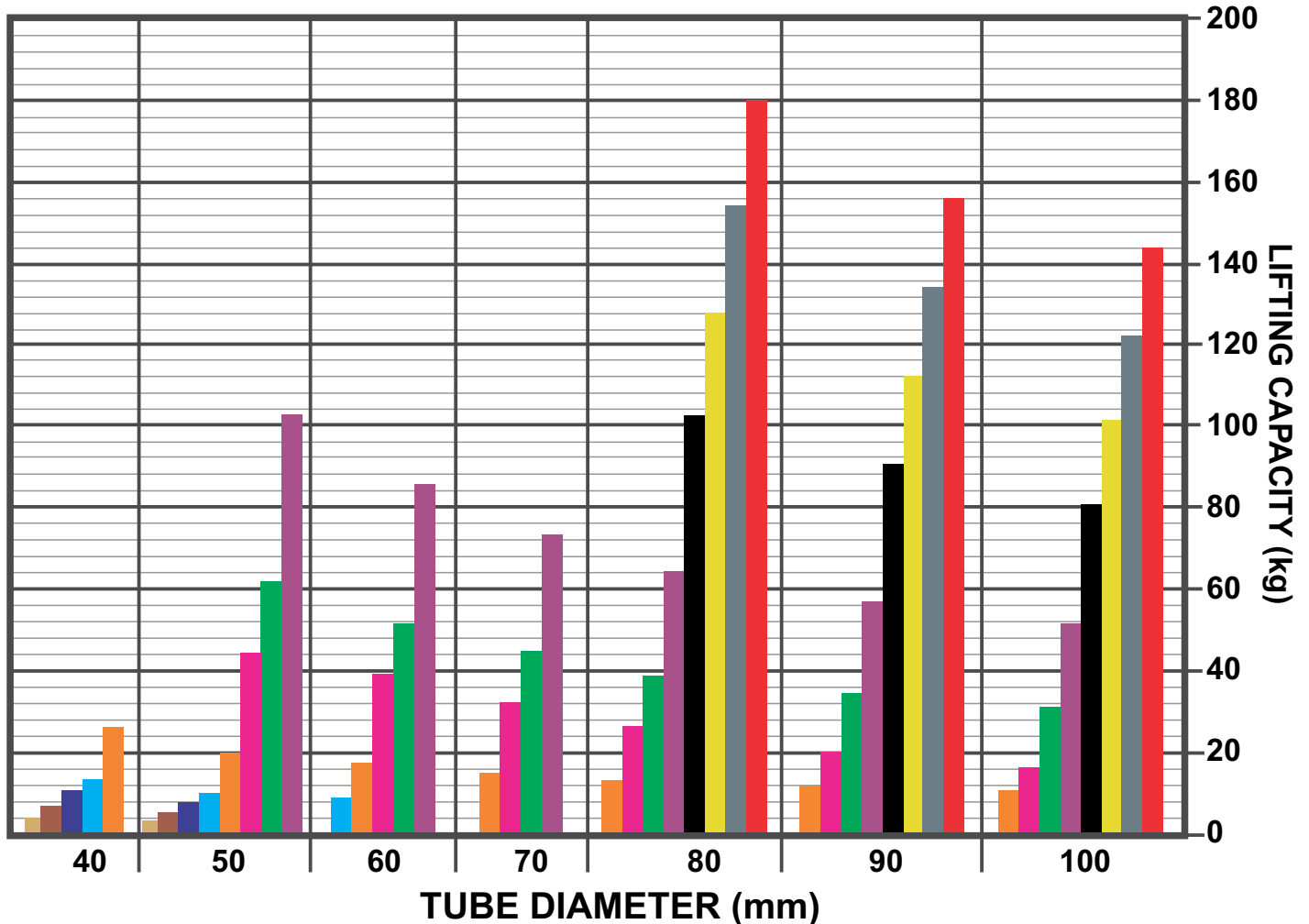
NUMBER OF ARMS	2 ARMS	3 ARMS	4 ARMS
UP TO 1.5M PROJECTION	30Nm	30Nm	50Nm
UP TO 2.0M PROJECTION	30Nm	50Nm	50Nm
UP TO 2.5M PROJECTION	30Nm	50Nm	80+Nm
UP TO 3.0M PROJECTION	50Nm	50Nm	80+Nm
UP TO 3.5M PROJECTION	50Nm	80+Nm	80+Nm
UP TO 4.0M PROJECTION	50Nm	80+Nm	80+Nm

## 78MM TUBE

NUMBER OF ARMS	2 ARMS	3 ARMS	4 ARMS
UP TO 1.5M PROJECTION	30Nm	50Nm	50Nm
UP TO 2.0M PROJECTION	30Nm	50Nm	80+Nm
UP TO 2.5M PROJECTION	50Nm	50Nm	80+Nm
UP TO 3.0M PROJECTION	50Nm	50Nm	80+Nm
UP TO 3.5M PROJECTION	50Nm	80+Nm	80+Nm
UP TO 4.0M PROJECTION	50Nm	80+Nm	80+Nm

# Motor Lifting Chart

FOR ZIPS AND SIDE CHANNEL SYSTEMS



To use this chart, simply find your tube size at the bottom of the chart, find the colour that matches the capacity of your motor and check against the weights on the right side.

*Alpha*

# Notes

# MOTORISATION MADE EASY

AUSTRALIA / USA / CANADA



Unit 108 12 Pioneer Avenue

Tuggerah Business Park NSW 2259 Australia

Phone: +61 2 4355 4775 Fax: +61 2 4355 4273

sales@alphamotors.com.au www.alphamotors.com.au

# alpha

TUBULAR MOTORS PTY LTD



*Visit our website*



*Download our app  
(for installers only)*

